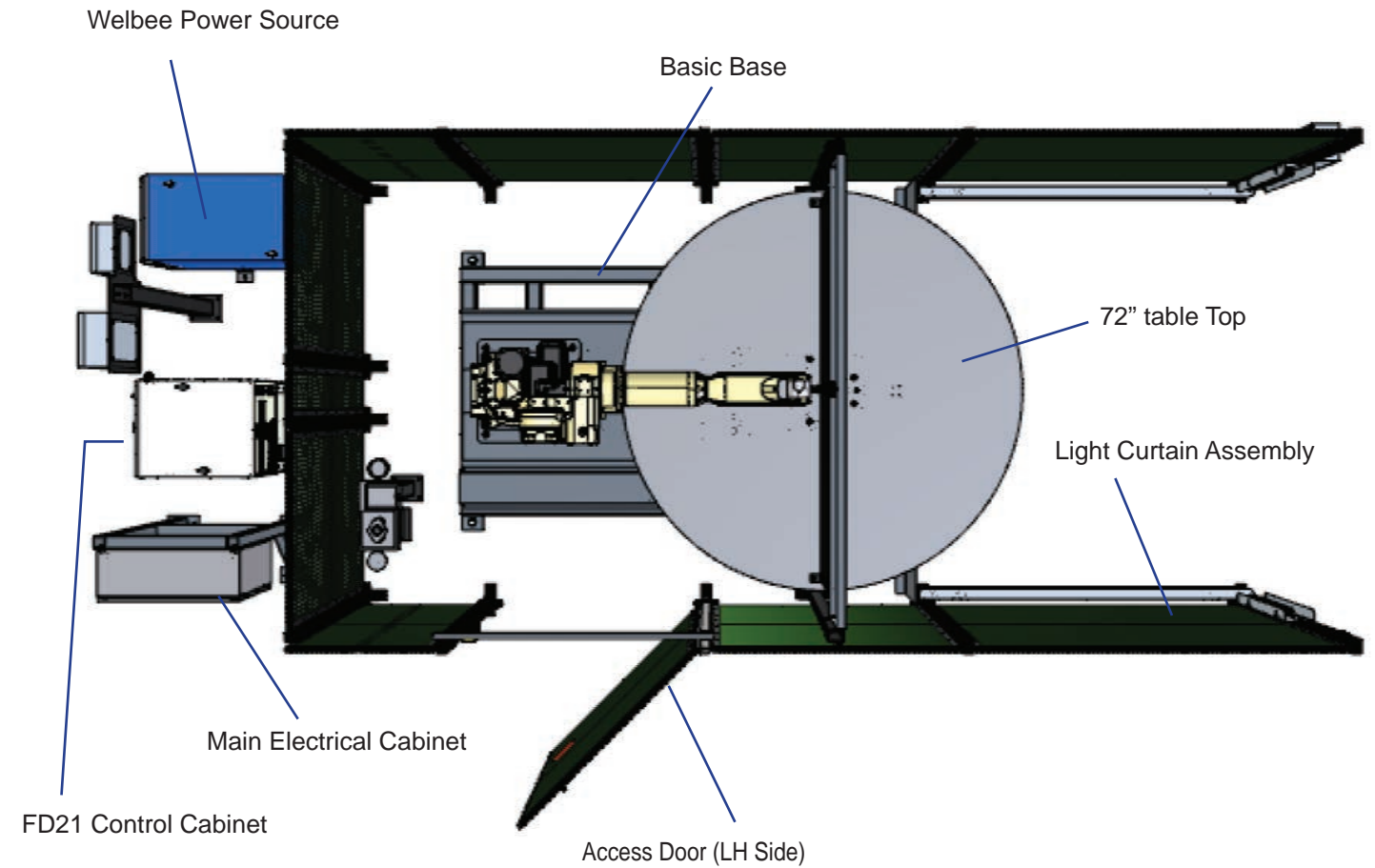
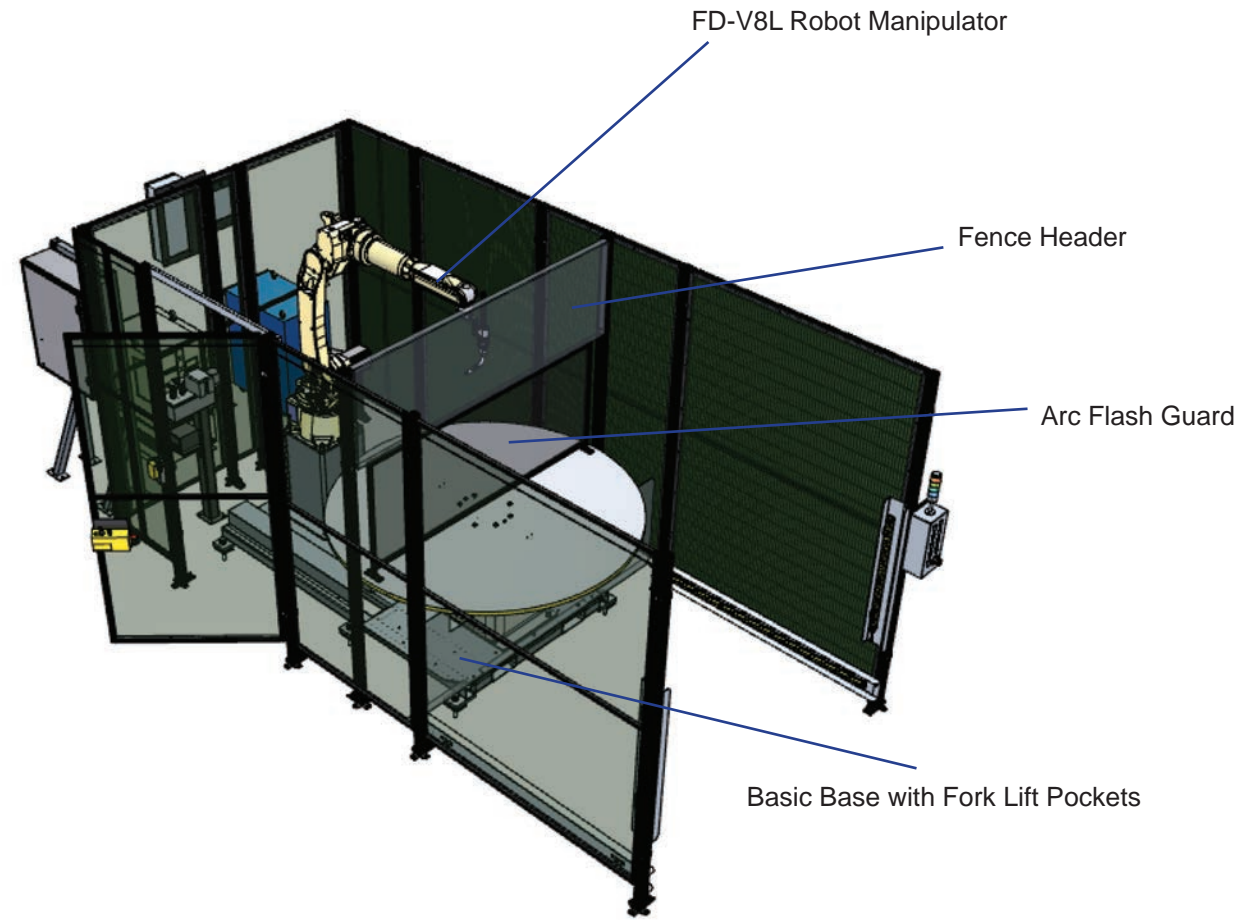


SERVO-ARC 720B



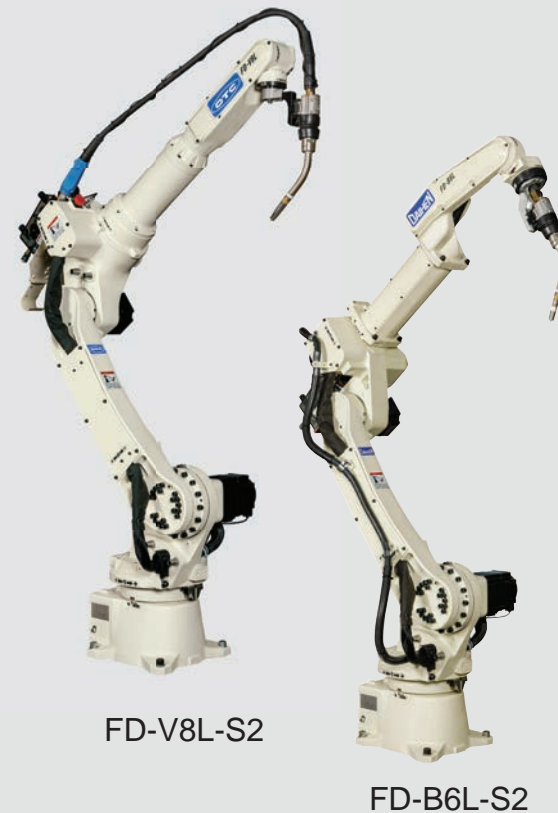
Standard Configuration:

SERVO-ARC 720B

72" servo-driven indexing table

Details:

- 3" through hole diameter in table top
- Index speed (180°) - 4.2 Seconds
- Work capacity – 250 kg/side
- Weight – approx. 2200 kg
- Standard fork lift pockets
- A2PB-1000 headstock instead of servo-table
- Floor mounted safety fencing w/ arc flash curtains



Specifications

Footprint Dimensions:

Width: 2187mm (86.1")
 Height: 2200mm (86.6")
 Depth: 4564mm (179.7")

Manipulator Types:

- FD-V8, FD-V8L-S2
- FD-B6, FD-B6L-S2

Available I/O Slots:

23 Inputs/24 Outputs
 (Additional Power Supply needed for Outputs)

Other Options:

- Fixture mounting pattern in table top
- Torch cleaning station
- Station Lighting
- Access door on RH side
- Safety Fence on Full Base
- Dual manipulators
- Basic layout (SERVO-ARC 720B)
- Extended I/O