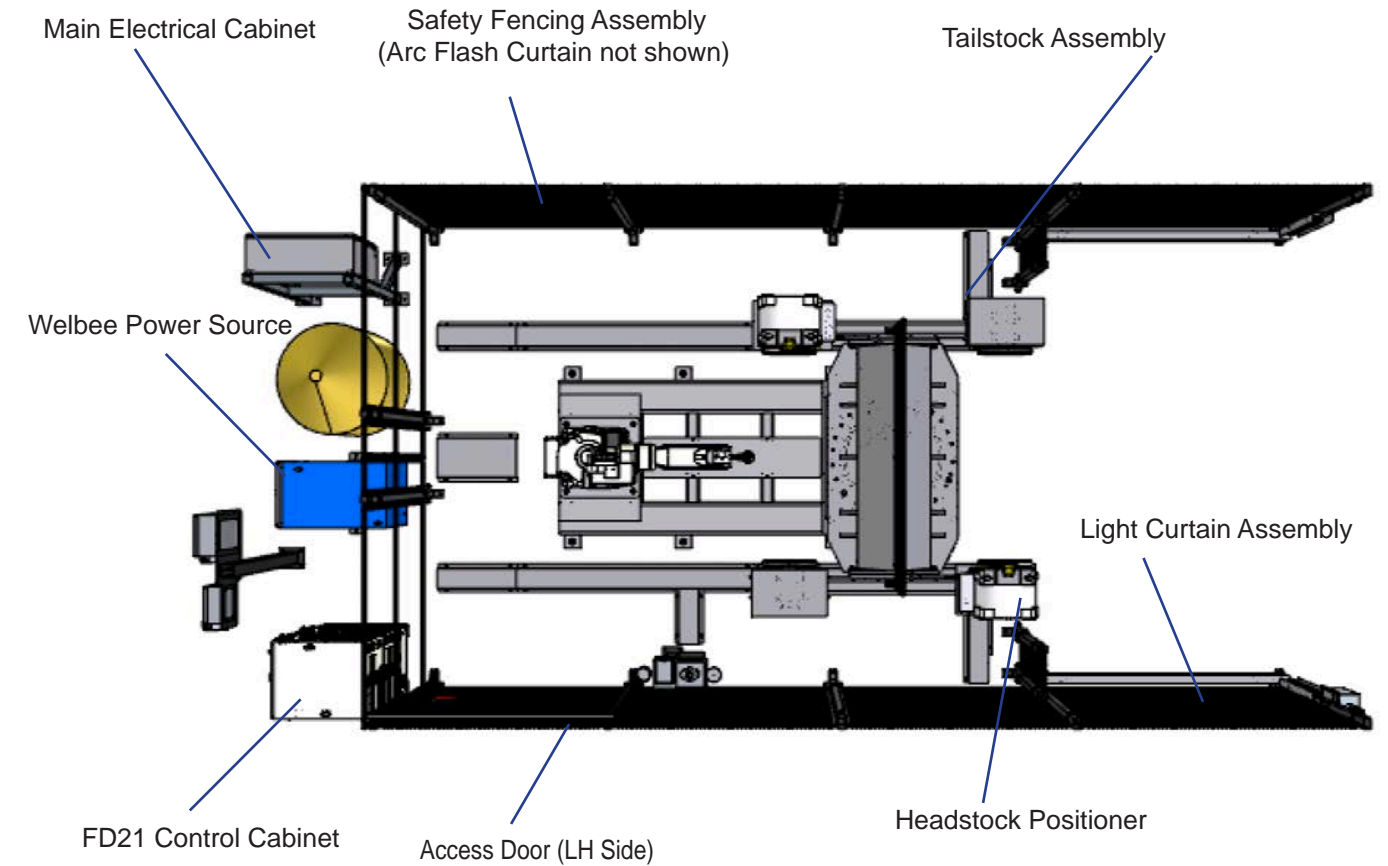
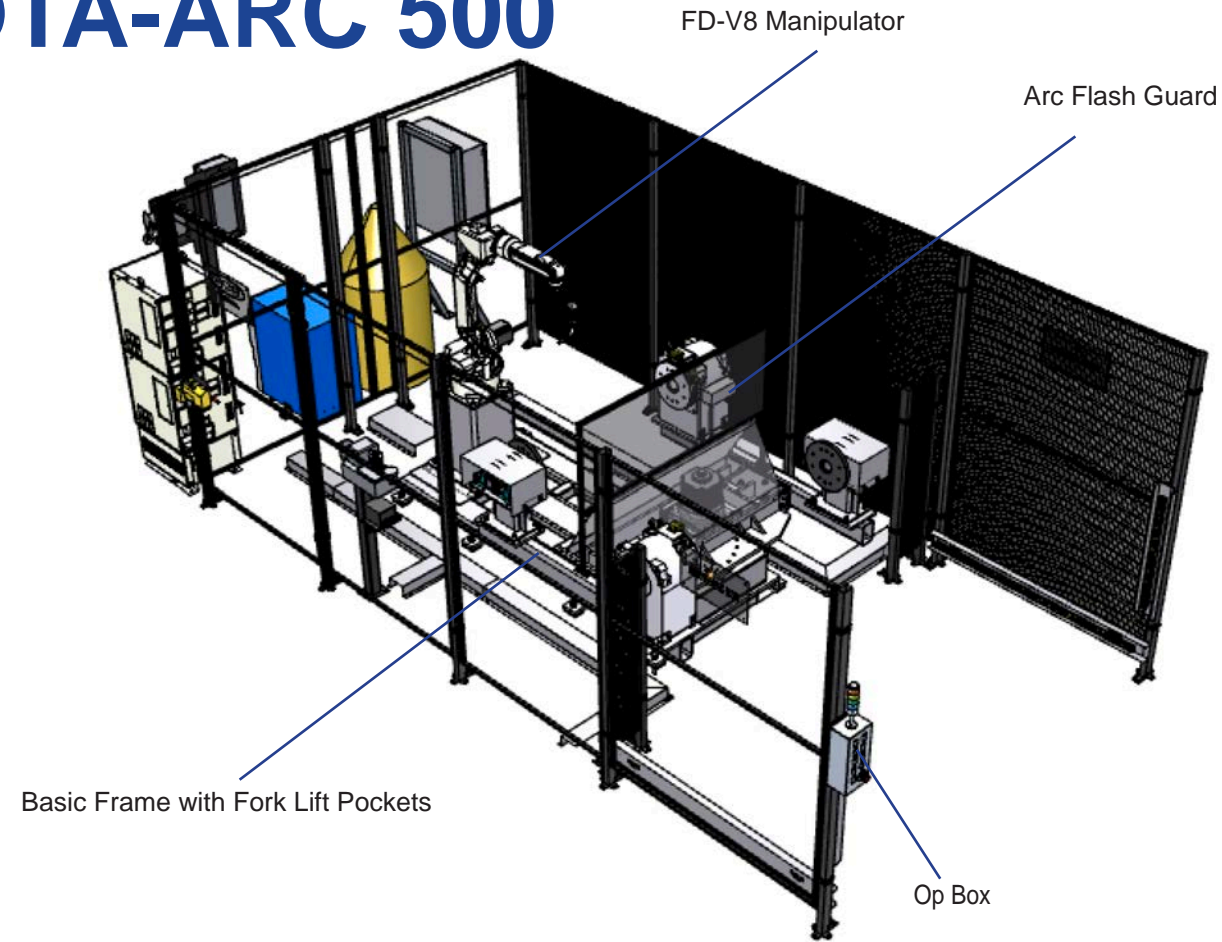


# ROTA-ARC 500



## Standard Configuration:

### ROTA-ARC 500

3 Axis Rotary Positioner with (2) Headstock/Tailstock Stations

#### Details:

- 3-Axis, Servo-controlled Positioner
- Work Capacity – 500kg / side
- Weight – Approx. 4000kg
- Standard fork lift pockets in base
- Standard HS/TS span: 1500mm
- Index Speed - 5 seconds
- HS/TS swing diameter: 1000mm
- Floor mounted safety fencing w/ arc flash curtains
- Utility trailer



FD-V8



FD-B6

## Specifications

### Footprint Dimensions:

Width: 3336 mm (131.3")  
 Height: 2200mm (86.6")  
 Depth: 6411mm (252.4")

### Manipulator Types:

- FD-V8
- FD-V8L
- FD-B6
- FD-B6L

### Available I/O Slots:

21 Inputs / 29 Outputs  
 (Additional Power Supply needed for Outputs)

### Other Options:

- HS/TS span of 1500mm max.
- Torch cleaning station
- Access door on RH side
- Multiple manipulators
- Extended I/O (recommended)