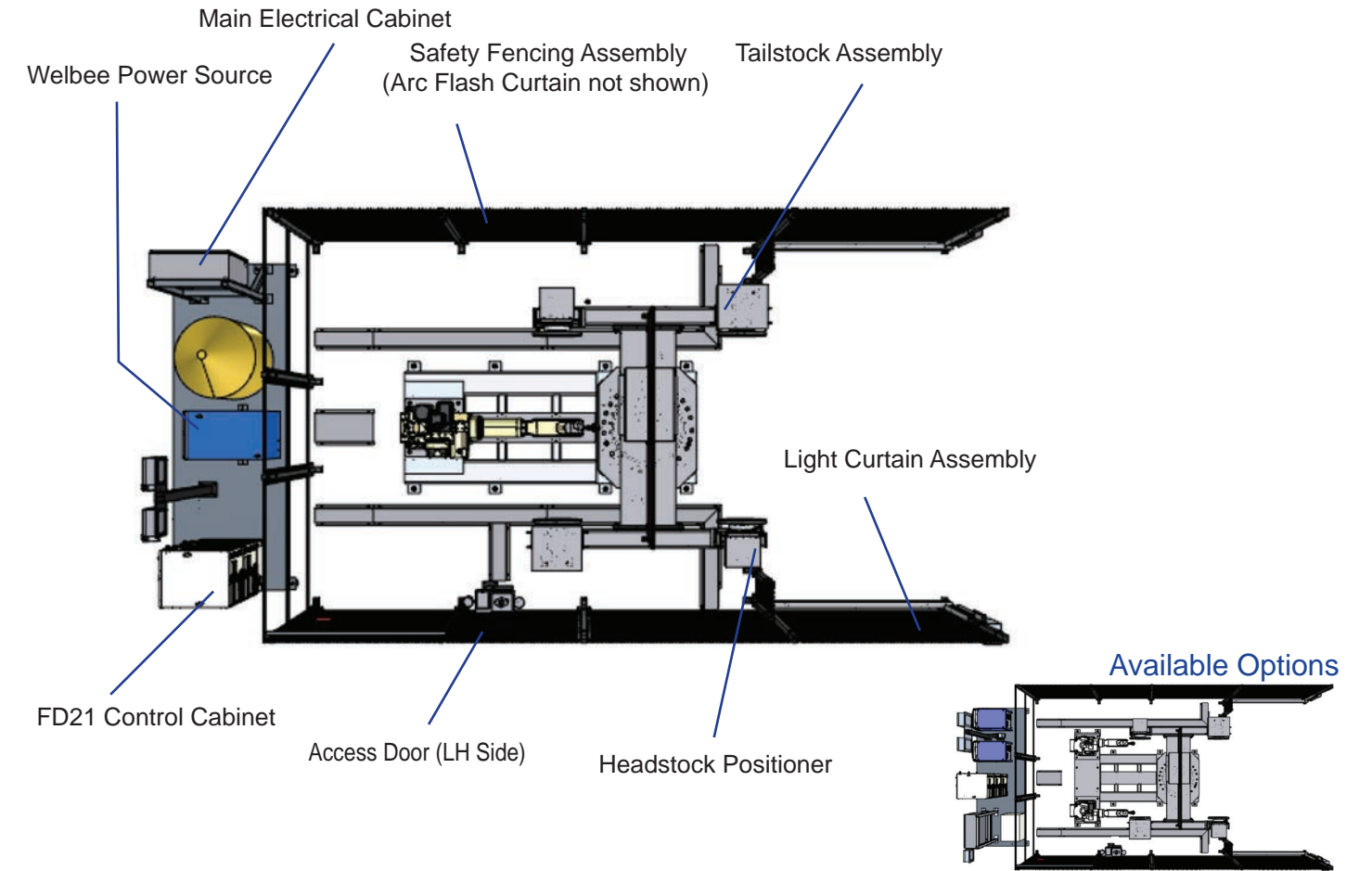
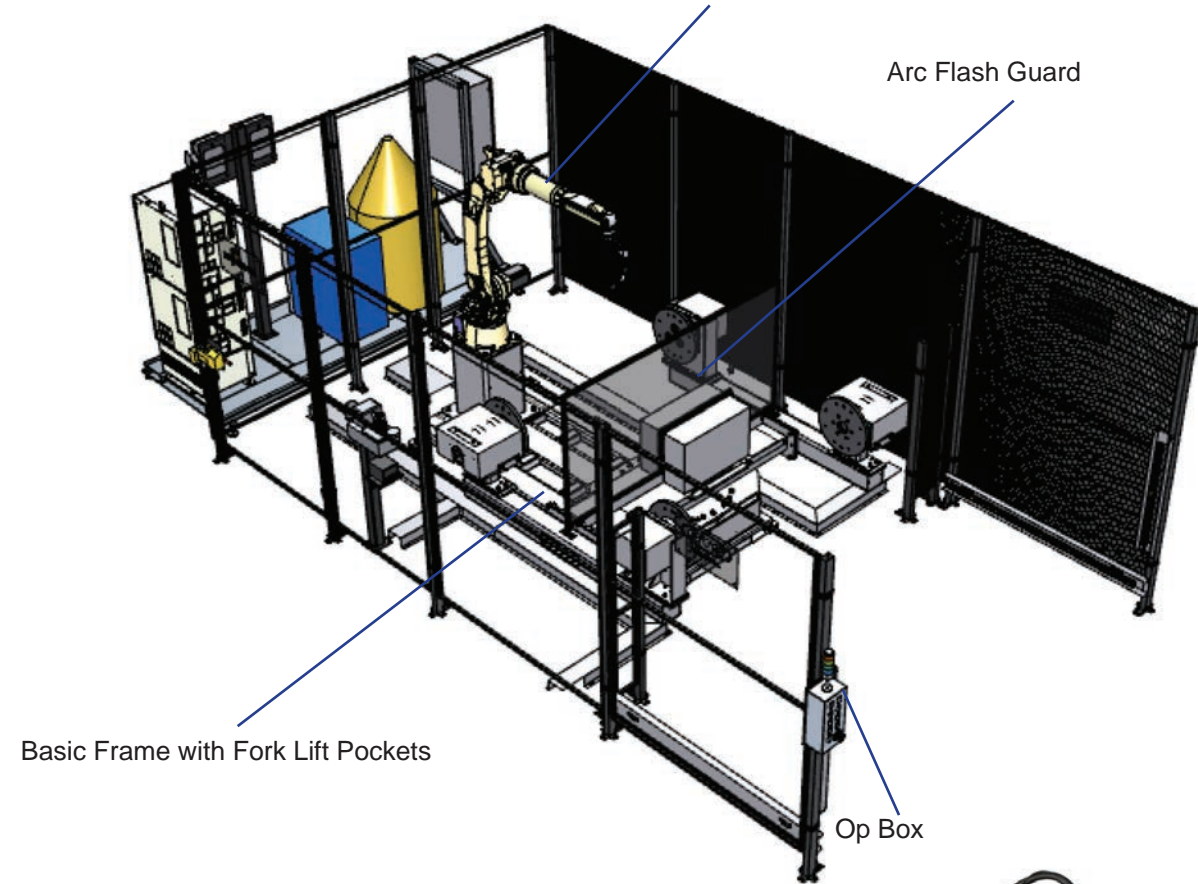


# ROTA-ARC 1000

FD-V8L Robot Manipulator



## Standard Configuration:

### ROTA-ARC 1000

3 Axis Rotary Positioner  
with (2) Headstock/Tailstock Stations

#### Details:

- Work Capacity – 1000kg/side
- Weight – Approx. 4500kg
- Standard fork lift pockets in base
- Standard HS/TS span: 1500mm
- Index Speed - 5 seconds
- HS/TS swing diameter: 1000mm
- Floor mounted safety fencing w/ arc flash curtains
- Utility trailer



## Specifications

### Footprint Dimensions:

Width: 3336 mm (131.3")  
Height: 2200mm (86.6")  
Depth: 6115mm (252.4")

### Manipulator Types:

- FD-V8
- FD-V8L-S2
- FD-B6
- FD-B6L-S2

### Available I/O Slots:

21 Inputs/29 Outputs  
(Additional Power Supply needed for Outputs)

### Other Options:

- HS/TS span of 4000mm max.
- Torch cleaning station
- Access door on RH side
- Multiple manipulators
- Extended I/O (recommended)