



No.1L7431

MODEL: L-7431

[CO2/MAG Wire Feeder (for 2 Roll Type)]

PARTS LIST

DAIHEN Corporation

1 . L-7431 Parts List

1.1 Wire Feeder (L-7431) Parts List

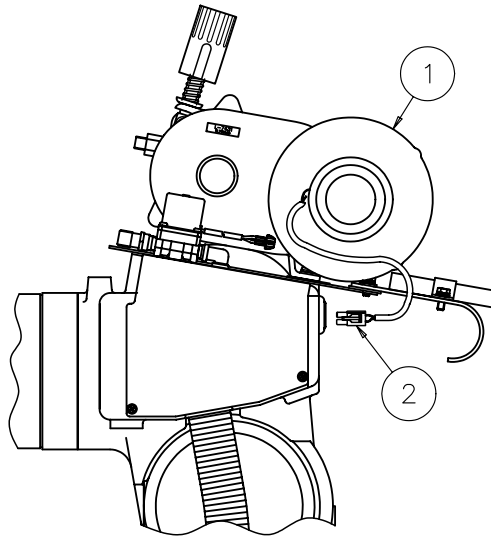


Fig 1. L-7431 Parts List

Table 1. L-7431

No	Part Number	Description	Q'ty	Remarks
1	K2282A	Wire Feeder Unit	1	Refer to 1.2
2	L7431B	Cable Assy	1	Refer to 2

1.2 Wire Feeder Unit (K2282A) Parts List

Table 2. K-2282 Parts List

No	Part Number	Description	Q'ty	Remarks
1	K1123B01	Gear Case	1	
2	4802-006	Print Motor	1	
3	K1123B02	Pinion	1	
4	3361-401	CS Type Snap Ring	1	CSTW-10
5	K1123B03	2-Step Gear	1	
6	K1123B05	Bush	2	
7	K1123B04	Geared Output Shaft	1	
8	K1123B06	Insulating Spacer	1	
9	3311-001	Radial Ball Bearing	1	No . 6 0 0 0 Z Z
10	3361-206	Key	1	4 × 4 × 8
11	3311-008	Radial Ball Bearing	1	No . 6 0 0 1 Z Z
12	K1200B01	Gear Case	1	
12-1	K1200B04	Torch Holder	(1)	
12-2	K1200B05	Gear Case	(1)	
12-3	3361-208	Pin	(1)	3 φ - 2 0
13	U1230B14	Insulating Spacer	3	
14	K1123B07	Spacer	1	
15	U1376H01	Feed Roll (1.0-1.2mm)	1	Steel φ 1.0 - φ 1.2
16	-	Washer	1	M 1 0
17	-	Spring Washer	1	M 1 0
18	-	Nut	1	M 1 0
19	K1200B02	Bolt Fixing Plate	1	
20	K1123F00	Hinge Assy	1 Set	
21	K1123C06	Straight Roll(1)	1	W/Bush
22	K1123C07	Straight Roll(2)	2	W/Bush
23	3361-402	Thrust Washer	4	STW-FT8.0×0.5
24	3361-403	Snap Ring	4	φ 6
25	3361-501	Bolt	1	Type B M 8 - 3 5
26	3361-505	Nut	1	M 8
27	K1200B03	Spring Plate	1	
28	U785C11	Protection Cover	2	

1.2 Wire Feeder Unit (K2282A) Parts List (continued)

Table 3. K-2282 Parts List

No	Part Number	Description	Q'ty	Remarks
2 9	K1123D00	Handle Assembly Pressure	1 set	
3 0	U1997L02	Insulating Plate	1	
3 1	K1687D02	Conduit Folder	1	
3 2	K1687D13	Guide Adapter	1	
3 3	U785C09	Spring Plate	1	
3 4	K1200C01	Pressure Roll Holder	1	
3 5	U4345B04	Pressure Roll Shaft	1	
3 6	3311-003	Radial Ball Bearing	1	No . 6 2 0 0 L L U
3 7	-	Washer	2	M 1 0
3 8	U1997C06	Insulating Bush	2	
3 9	U2070B01	Insulating Sheet	2	
4 0	-	Bolt	2	M 8 × 2 0 (W/W&SW)

Important: When you need Conduit Folder Assy, use K1687D00.

K1687D00 are including No.13,28,30,31,32,33 and washer,Bolt.

Optional Accessories

Table 4. Optional Accessories Parts List

No	Part Number	Description	Q'ty	Remarks
4 1	U 1 3 6 9 N 0 1	Feed Roll (1.2-1.6)	1	(φ 1.2 & 1.6)
4 2	U 1 3 6 9 N 0 2	Feed Roll (1.6-1.6)	1	(φ 1.6)
4 3	U 1 3 6 9 N 0 3	Feed Roll (1.2-1.4)	1	(φ 1.2 & 1.4)
4 4	U 1 3 7 6 H 0 2	Feed Roll (0.8-1.0)	1	(φ 0.8 & 1.0)
4 5	U 1 3 7 6 H 0 3	Feed Roll (1.2-1.2)	1	(φ 1.2)
4 6	U 1 3 7 6 H 0 4	Feed Roll (1.0-1.0)	1	(φ 1.0)
4 7	U 1 3 7 6 H 0 7	Feed Roll (0.9-1.0)	1	(φ 0.9 & 1.0)
4 8	U 1 3 7 6 H 0 8	Feed Roll (0.9-1.2)	1	(φ 0.9 & 1.2)
4 9	U 1 3 7 6 H 0 9	Feed Roll (0.9-0.9)	1	(φ 0.9)
5 0	U 1 3 7 6 H 1 0	Feed Roll (0.8-0.8)	1	(φ 0.8)
5 1	U 1 3 7 6 H 1 1	Feed Roll (0.8-0.9)	1	(φ 0.8 & 0.9)
5 2	U 1 3 7 6 H 1 2	Feed Roll (0.9-1.15)	1	(φ 0.9 & 1.15)
5 3	U 1 3 7 6 H 1 3	Feed Roll (1.4-1.4)	1	(φ 1.4)
5 4	U 1 3 7 6 H 1 4	Feed Roll (0.6-0.6)	1	(φ 0.6)
5 5	U 1 3 7 6 H 1 5	Feed Roll (0.6-0.8)	1	(φ 0.6 & 0.8)
5 6	K 9 7 0 E 2 4	Feed Roll (1.2-1.2)	1	Ceramics Type
5 7	K 9 7 0 E 2 5	Feed Roll (1.4-1.4)	1	Ceramics Type
5 8	K 9 7 0 E 9 2	Feed Roll (1.2-1.6)	1	Ceramics Type

5 9	K 9 7 0 H 2 8	Feed Roll (1.2-1.4)	1	Ceramics Type
-----	---------------	---------------------	---	---------------

1.2 Wire Feeder Unit (K2282A) Parts List (continued)

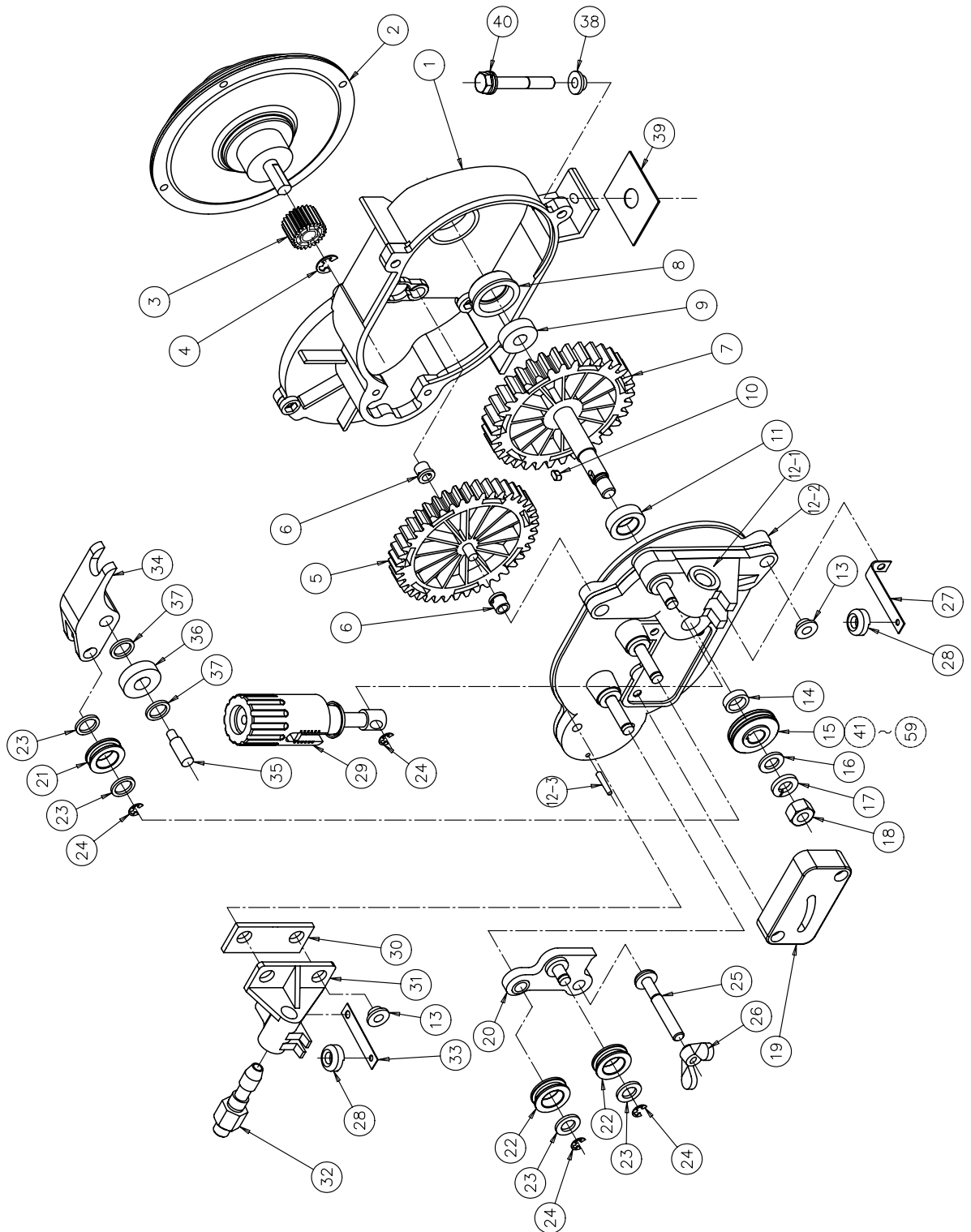
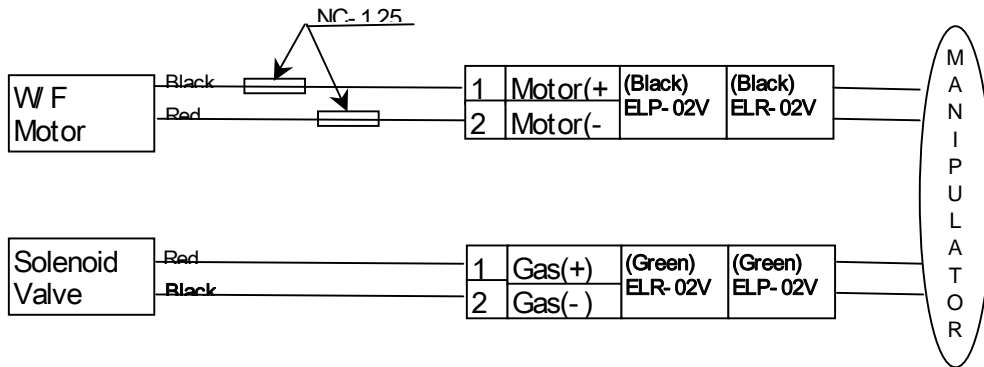


Fig 2. Disassembly Drawing of wire Feeder Unit

2. Electrical Connection Diagram



Caution) Detail of Solenoid Valve refer to Instruction Manual Almega EX series(Maintenance)