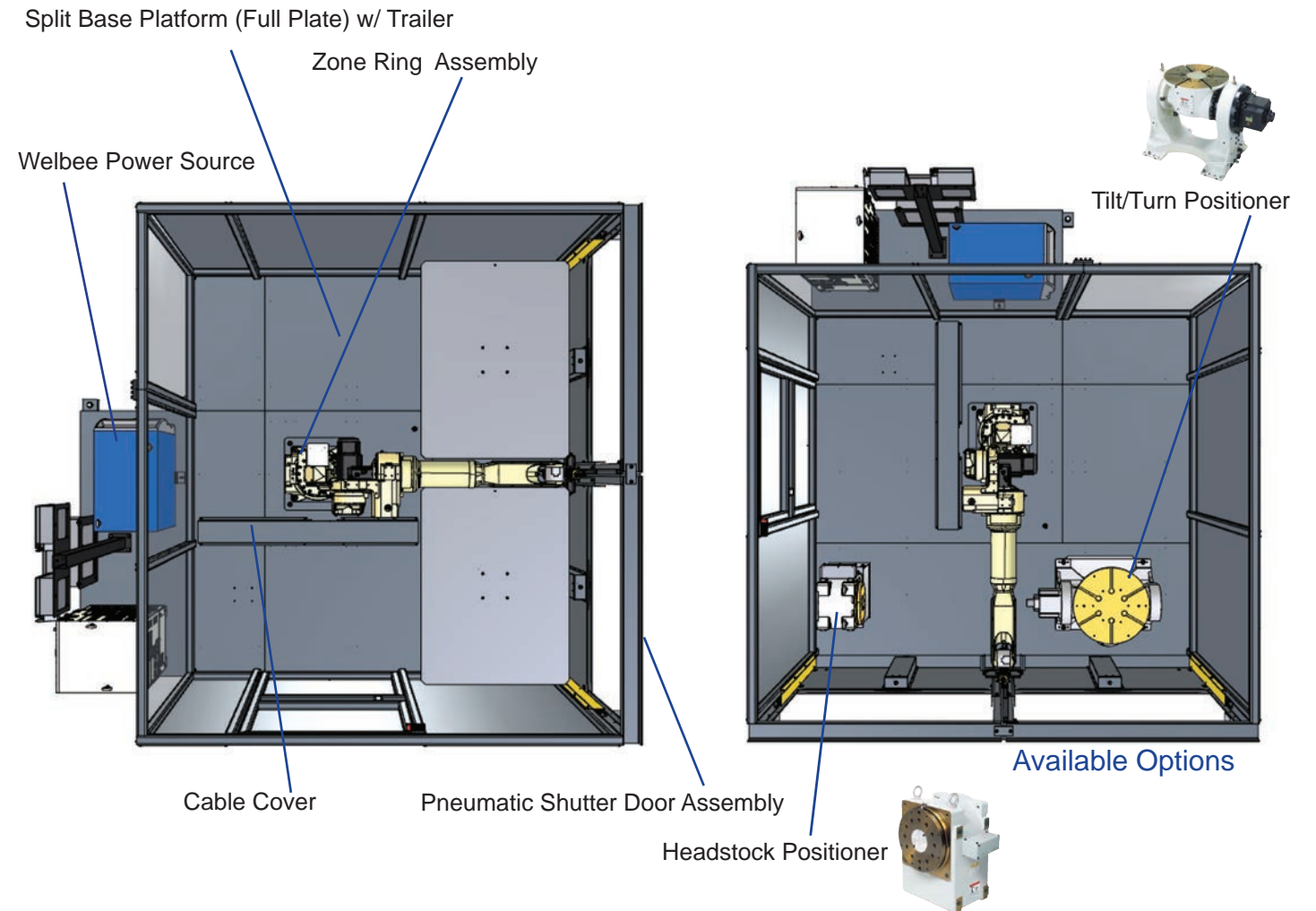
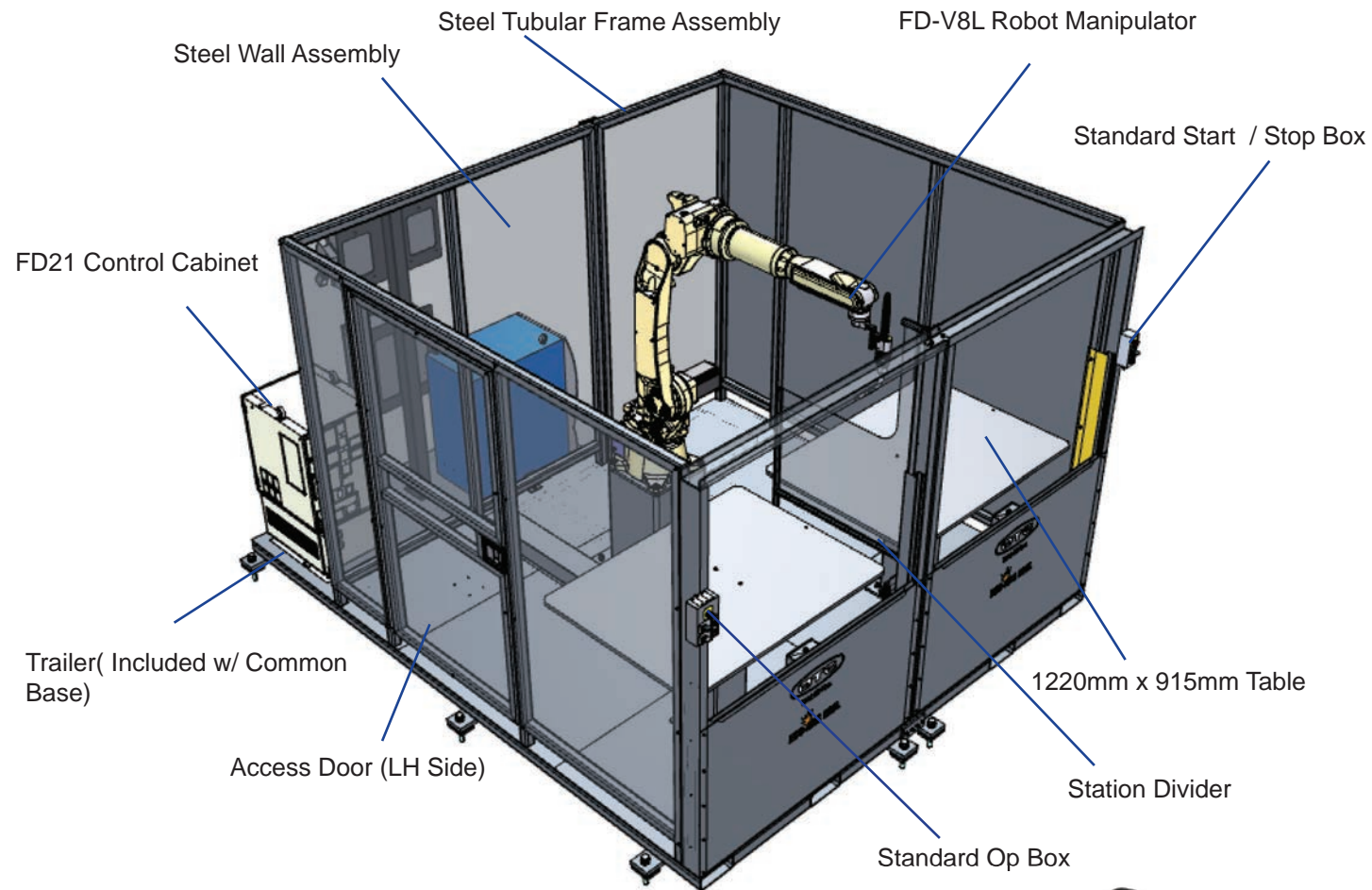


# ECO-ARC 200L



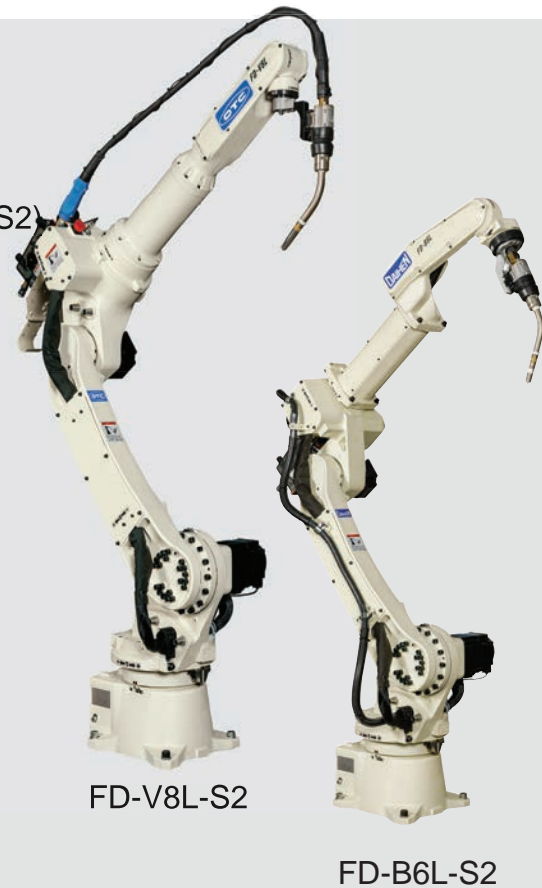
## Standard Configuration:

### ECO-ARC 200L

2 stationary tables with long reach robot manipulator FD-V8L(S2)

#### Details

- Pneumatic shutter doors
- Zone Ring for station designation
- Standard fork lift pockets in split base for easy movement
- Steel wall station divider
- Table Top Dimensions: 1220mm x 915mm
- Weight – Approx. 3500kg



## Specifications

**Footprint Dimensions:**  
 Width: 2960mm (116.5")  
 Height: 2200mm (86.6")  
 Depth: 3440mm (135.4")

**Manipulator Types:**

- FD-V8L-S2
- FD-B6L-S2

**Cell Options:**

- 2 Stationary tables
- Positioner/Table
- 2 Positioners

**Headstock Options:**

- A2PB-250
- A2PB-500
- A2PB-1000

#### Tilt/Turn Options:

- A2PF-300
- A2PF-500
- A2PF-1000

#### Available I/O Slots:

28 Inputs/26 Outputs  
 (Additional Power Supply needed for Outputs)

#### Other Options:

- Basic Base Design (ECO-ARC 200LB)
- Safety Fencing on Floor
- Safety Fencing on Full Base
- Access Door on RH Side
- Manual Sliding Door Assembly
- Station Lighting
- Torch Cleaning Station
- Fixture Mounting Pattern in Table Top
- Extended I/O