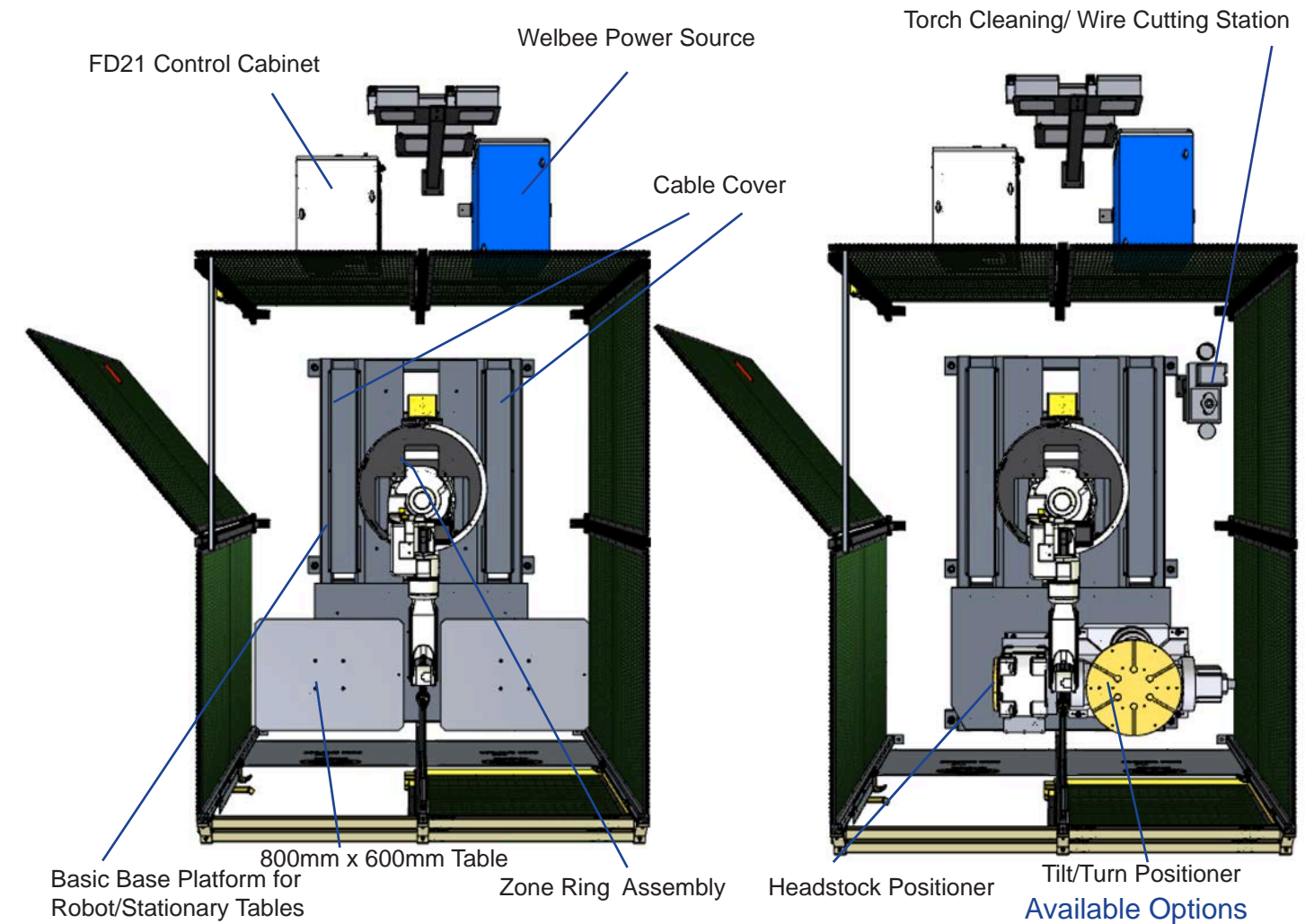
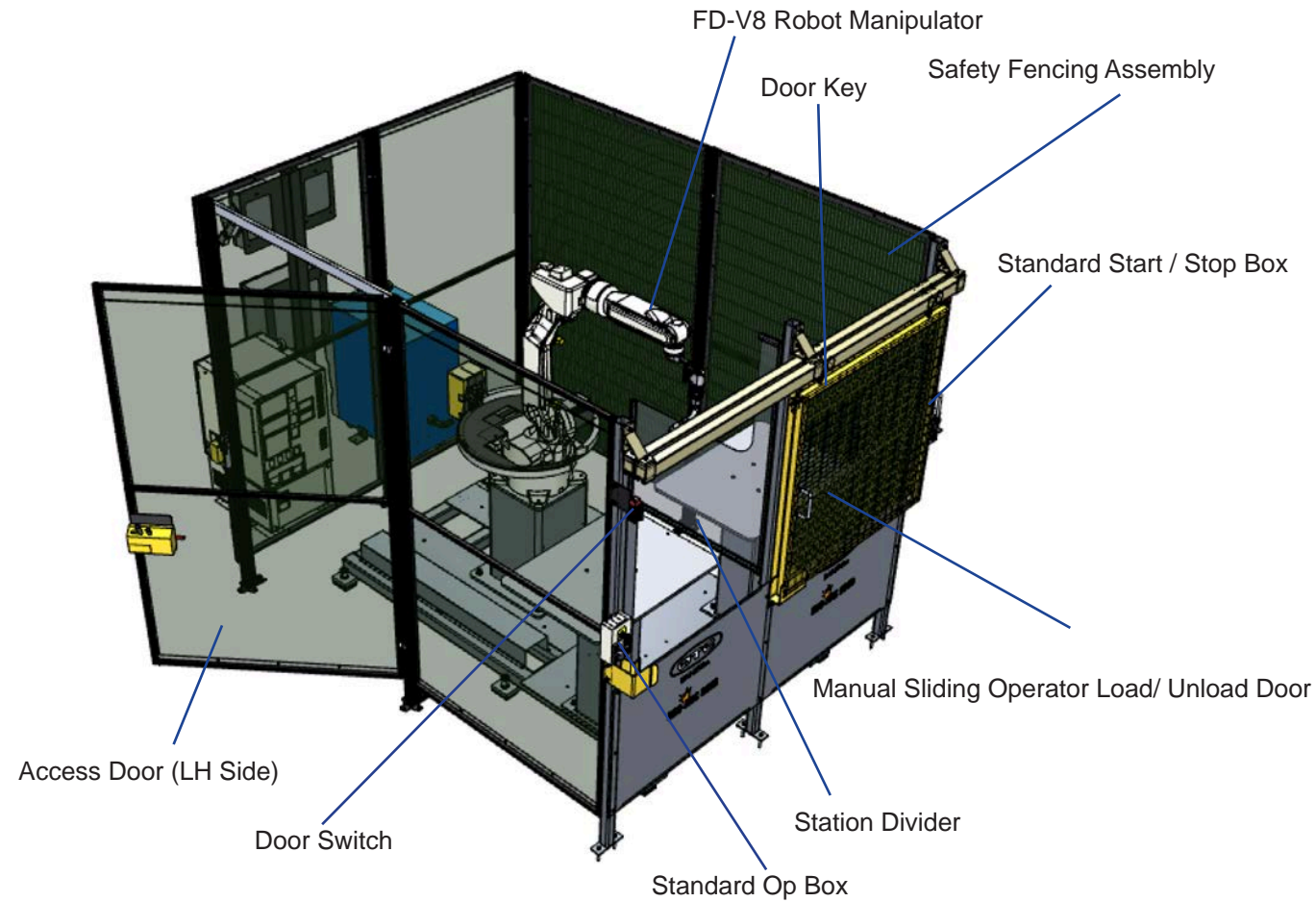


ECO-ARC 200B



Standard Configuration:

ECO-ARC 200B

2 stationary tables with standard robot manipulator (FD-V8)

Details:

- Manual sliding operator load doors
- Zone Ring for station designation
- Standard fork lift pockets in base for easy movement
- Steel wall station divider
- Tabletop Dimensions: 800mm x 600mm
- Weight – Approx. 1500kg
- Floor mounted safety fencing w/ arc flash curtains



Specifications

Footprint Dimensions:

- Width: 2140mm (84.2")
- Height: 2200mm (86.6")
- Depth: 3575mm (140.7")

Manipulator Types:

- FD-V8
- FD-B6

Cell Options:

- 2 Stationary tables
- Positioner/Table
- 2 Positioners

Headstock Options:

- A2PB-250
- A2PB-500
- A2PB-1000

Tilt/Turn Options:

- A2PF-300
- A2PF-500
- A2PF-1000

Available I/O Slots:

28 Inputs/26 Outputs
(Additional Power Supply needed for Outputs)

Other Options:

- Full Base Design (ECO-ARC 200)
- Mesh Fencing on Full Base
- Access Door on RH Side
- Pneumatic Shutter Door Assembly
- Station Lighting
- Torch Cleaning Station
- Fixture Mounting Pattern in Table Top
- Extended I/O
- Trailer (Base)