

*Air Cooled MIG Welding Torch*

# *BLUE TORCH*

## **OWNER'S MANUAL 『Parts List』**

BTA300-30UT...1U6330  
BTA300-40UT...1U6331

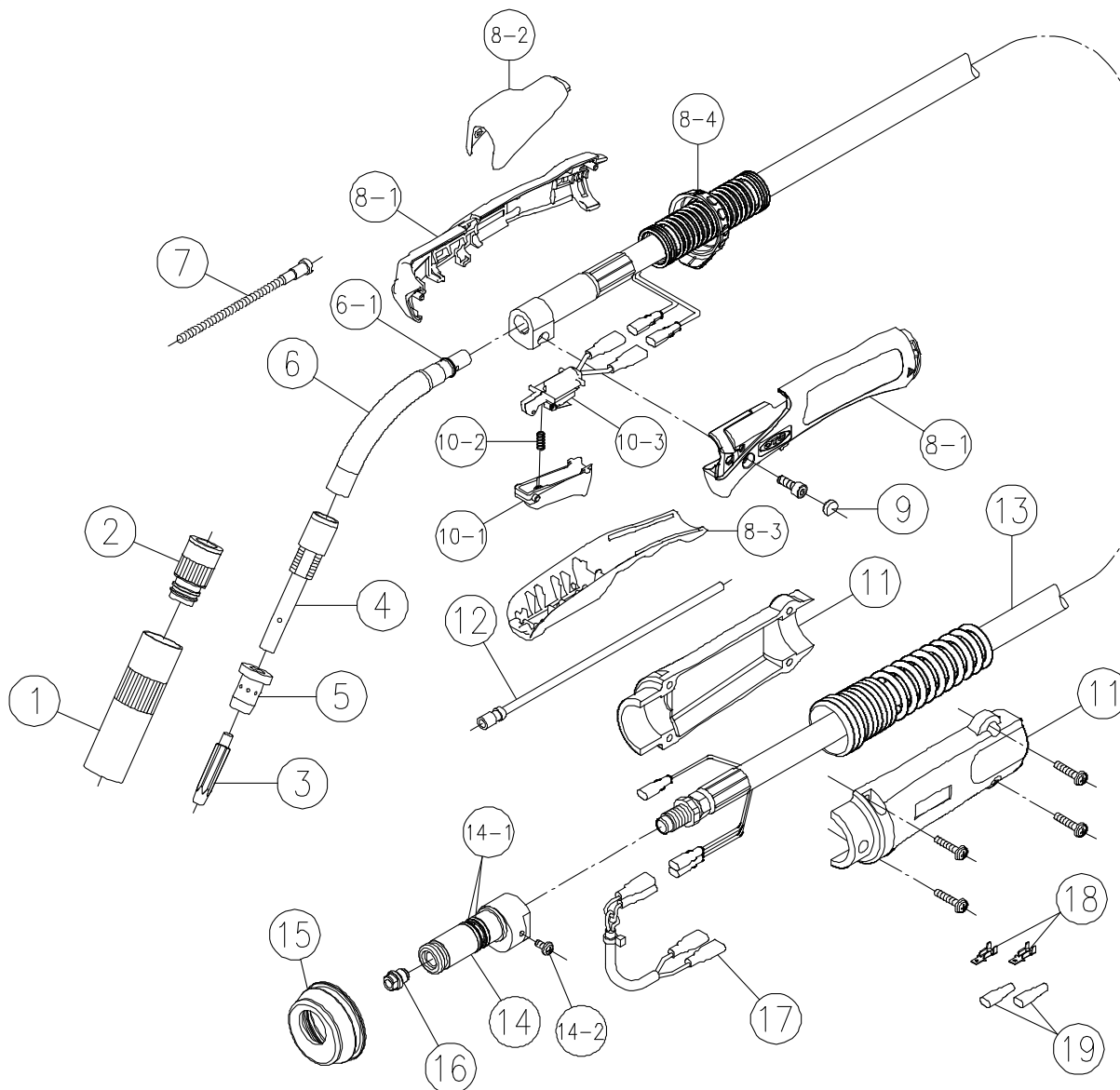
### *BTA300-30UT* *BTA300-40UT*

Rated Specification

Rated Current and Duty Cycle	300A 50%(MIG) /30%(PULSE MIG)	
Torch Length	3.0m/10ft	4.0m/13ft
Net Weight	3.0kg/6.6lb	3.6kg/7.9lb
Diameter range of the electrode (mm) 1	(1.0) , 1.2 , (1.6)	
Diameter range of the electrode (inch) 1	(.040) , .045 , (1/16)	
Type of the electrode	Aluminium	
Type of shielding gas	Ar	
Type of cooling	Air Cooled	
Method of guidance	Manual	
Voltage rating	113V(Peak)	
Torch switch technical data	DC30V 3A	

1:"( )": Optional parts are necessary.

## Standard Parts List

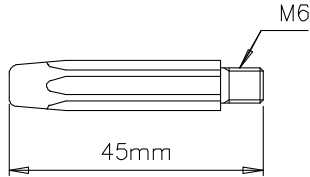


No.	Part Description	Part No.	No.	Part Description	Part No.
	Nozzle (I.D.16mm)	U4432G01		Cable Support (with Screw)	U6190S00
	Insulator	U5377L00		Pla Liner	
	Contact Tip (1.2mm/.045")	K980C37		3.0m/10ft (1.0 ~ 12mm/.040" ~ .045")	U4432G02
	Tip Body	U4400G01		4.0m/13ft (1.0 ~ 12mm/.040" ~ .045")	U4527J01
	Orifice	U4173G02		Power Cable (Screw, Reinforcing Spring is included.)	
	Torch Body (R100,45° )	U6314B00		3.0m/10ft	U6314D00
-1	O-Ring (S9-4D)	3574-001		4.0m/13ft	U6331D00
	Inner Liner	U4432G03		Power Fitting "NO.4" (with Screw)	U5972E00
	Handle KIT ( -1 ~ 4 is included.)	U6256C00	-1	O-Ring (AS-014(4D))	100-0818
-1	Handle (L/R)	U6256D00	-2	Small Screw	100-0297
-2	Handle (Upper)	U6196H03		Rubber Sleeve	U5972G01
-3	Handle (Lower)	U6196H04		Wire Guide (12mm/.045")	U5984G02
-4	LockRing	U6196H05		Switch Cord	U5972F00
	Cap	U5341G01		Terminal (LOM-21T-187)	100-0820
	Trigger ASSY ( -1 ~ 3 is included.)	U6190T00		Cap (253224)	100-0821
-1	Trigger	U6190T01			
-2	Trigger Spring	U157E04			
-3	Switch ASSY	U6190Q00			

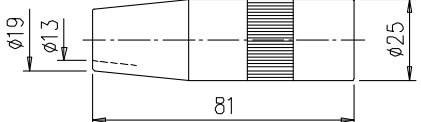
# Optional Parts List

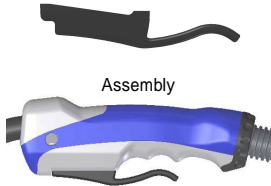
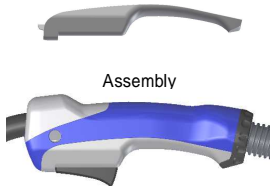
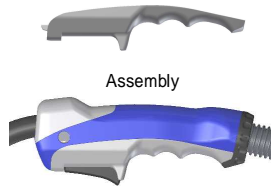
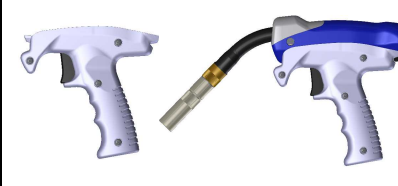
The dimension of the drawing is a reference value

UNIT (mm)



Contact Tip	
MIG-Tip(Standard)	
Wire Size	
1. 0mm (.040")	K980C36
1. 2mm (.045")	K980C37
1. 6mm (1/16")	K980C38

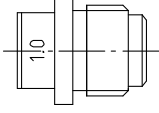
Pla Liner		
Wire Size	Length	Part NO.
1. 6mm (1/16")	3.0m/10ft	U4432G04
1. 6mm (1/16")	4.0m/13ft	U6000H00

Nozzle	
Low Current	
L6098E09	
	

Modular Torch Handle/Trigger Options			
(tool-less/quick-change style)			
Extended Trigger	Slim Grip Handle	Trigger Guard Grip Handle	Pistol Grip Handle Kit
U6256T00	U6256B01	U6256B02	U6256K00
			

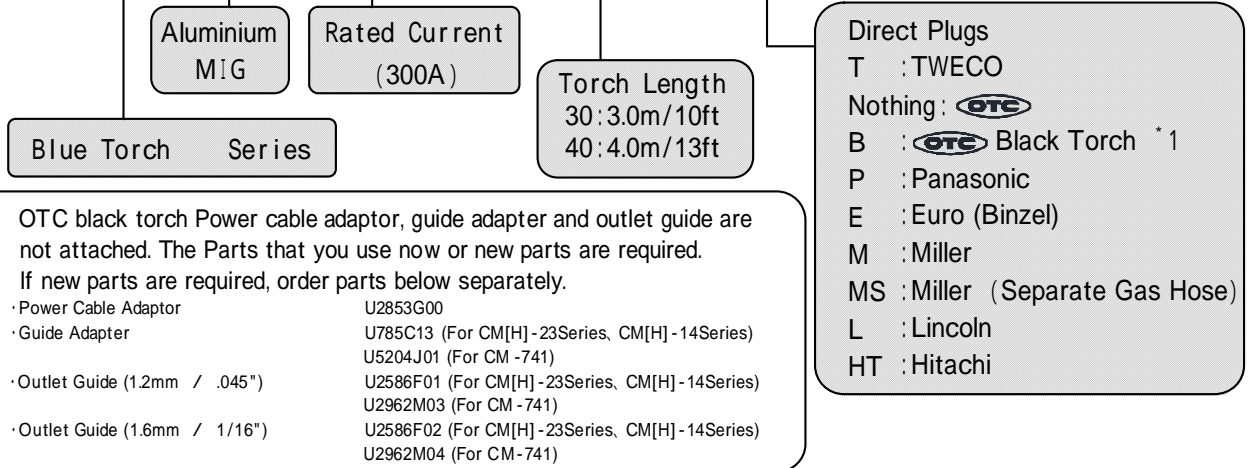
1 "Extended Trigger" is not made in combination with "Trigger Guard Grip Handle" and "Pistol Grip Handle Kit".  
 2 "Switch ASSY(U6190Q00)" and "Trigger Spring(U157E04)" are not included in "Extended Trigger".  
 3 "Trigger ASSY(U6190T00)" is not included in "Slim Grip Handle" and "Trigger Guard Grip Handle".  
 4 Please order "U6256M00" towards "Trigger ASSY(U6190T00)" is not required to "Pistol Grip Handle Kit".

Heat Shield	
Standard	For "Pistol Grip Handle"
U6256H00	U6256N00
	

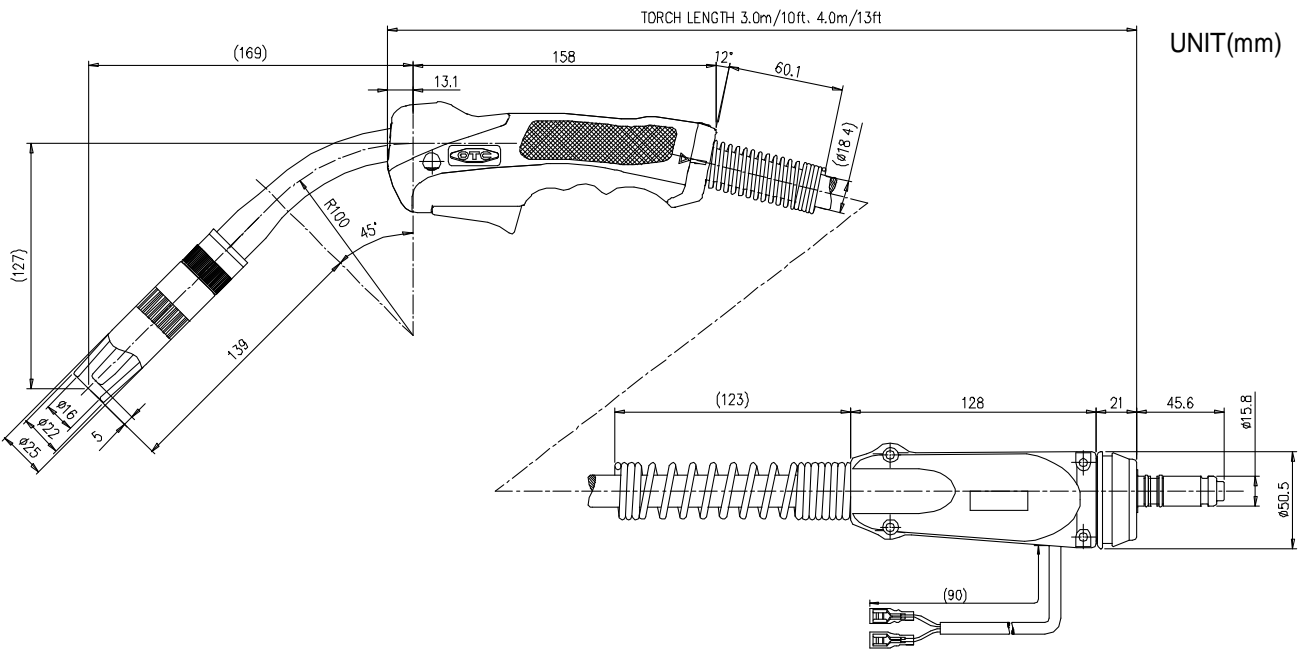
Wire Guide	
Wire Size	Part No.
1.0mm (.040")	U6000G01
1.6mm (1/16")	U6000G02
	

## Torch Type

# B T A 3 0 0 - 3 0 U T



## Dimensional Outline Drawing



The dimension of the drawing is a reference value



**DAIHEN Corporation**  
4-1, Koyochonishi,  
Higashinada-ku, Kobe,  
Hyogo 658-0033, Japan  
Phone: +81-78-275-2006,  
Fax: +81-78-845-8159

**DAIHEN Inc.**  
1400 Blausser Drive Tipp City,  
Ohio 45371, USA  
Phone: +1-937-667-0800,  
Fax: +1-937-667-0885

**OTC DAIHEN EUROPE GmbH**  
Krefelder Strasse 677,  
D-41066 Mönchengladbach,  
Germany  
Phone: +49-2161-6949710,  
Fax: +49-2161-6949711

**OTC Industrial (Shanghai) Co.,Ltd.**  
6F, Building B, ORIENTO Plaza,  
388 North Fuquan Road, Changning  
District, Shanghai, China 200335  
Phone: +86-21-5882-8633,  
Fax: +86-21-5882-8846

**OTC (Taiwan) Co.,Ltd.**  
2F No.153, Huanbei Rd.,  
Chung Li City, Taoyuan  
Hsien, Taiwan  
Phone: +886-3-461-3962,  
Fax: +886-3-434-2394

**OTC DAIHEN INDIA Pvt.Ltd.**  
V.M.TOWER, Plot No.54A,  
Ground Floor Unit-1, Sector-18,  
Gurgaon-122015 Haryana, India  
Phone: +91 124-4239368,  
Fax: +91 124-4300820

**DAIHEN Korea Co., Ltd.**  
11B/L Hyeongok Industrial  
Complex, 463-1 Hyeongok-ri,  
Cheongbuk-myeon, Pyeongtaek,  
Gyeonggi-do, 451-831,  
Republic of Korea  
Phone: +82-31-686-7445,  
Fax: +82-31-686-7464

**OTC DAIHEN Asia Co.,Ltd.**  
23/43, 16th Fl. Sorachai Building,  
23 Soi 63 Sukhumvit Road,  
Klongtonnua, Wattana, Bangkok  
10110, Thailand  
Phone: +66-2-714-3201,  
Fax: +66-2-714-3204

**PT.OTC DAIHEN INDONESIA**  
Blok G1A-20, Jl. Kenari II,  
Delta Silicon V,  
Lippo Cikarang Industrial  
Park, Bekasi 17550 Indonesia  
Phone: +6221-2957-7566,  
Fax: +6221-2957-7567