

Air Cooled MIG Welding Torch

BLUE TORCH

OWNER'S MANUAL 『Parts List』

BTA200-30UT...1U6329

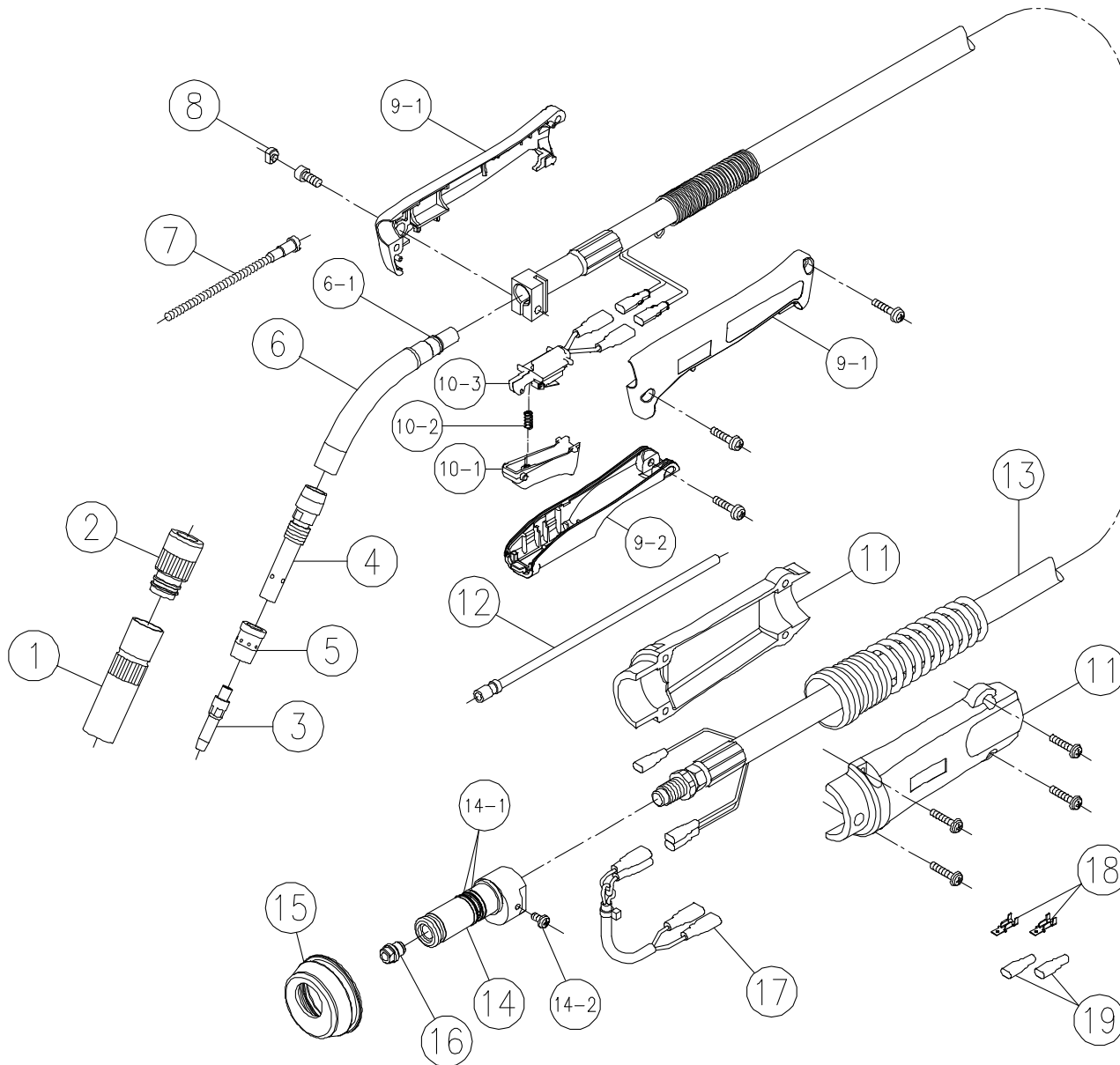
BTA200-30UT

Rated Specification

Rated Current and Duty Cycle	200A 60%(MIG) / 30%(PULSE MIG)
Torch Length	3.0m/10ft
Net Weight	2.5kg/5.5lb
Diameter range of the electrode (mm) 1	(1.0) , 1.2
Diameter range of the electrode (inch) 1	(.040) , .045
Type of the electrode	Aluminium
Type of shielding gas	Ar
Type of cooling	Air Cooled
Method of guidance	Manual
Voltage rating	113V(Peak)
Torch switch technical data	DC30V 3A

1: "()": Optional parts are necessary.

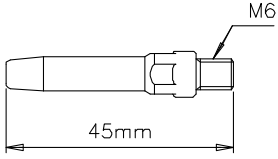
Standard Parts List



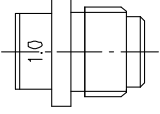
No.	Part Description	Part No.	No.	Part Description	Part No.
	Nozzle (I.D.13mm)	U4544F01		Cable Support (with Screw)	U6190S00
	Insulator	U4167L00		Pla Liner 10ft(1.0 ~ 1.2mm/.040" ~ .045")	U4432G02
	Contact Tip (1.2mm/.045")	K980C40		Power Cable	U6193D00
	Tip Body	U5632G01		Screw, Reinforcing Spring is included.	
	Orifice	U4167G02		Power Fitting "NO.4" (with Screw)	U5972E00
	Torch Body (R76,45°)	U6313B00	-1	O-Ring (AS-014(4D))	100-0818
-1	O-Ring (S9-4D)	3574-001	-2	Small Screw	100-0297
	Inner Liner	U5632G02		Rubber Sleeve	U5972G01
	Cap	U5341G01		Wire Guide (12mm/.045")	U5984G02
	Handle KIT (-1,2screw is included.)	U6257C00		Switch Cord	U5972F00
-1	Handle (L/R)	U6257D00		Terminal (LOM-21T-187)	100-0820
-2	Handle (Lower)	U6190H03		Cap (253224)	100-0821
	Trigger ASSY (-1 ~ 3 is included.)	U6190T00		Pla Liner 13ft (1.0~1.2mm/.040"~.045")	U4527J01
-1	Trigger	U6190T01			
-2	Trigger Spring	U157E04			
-3	Switch ASSY	U6190Q00			



Optional Parts List

UNIT (mm)

Contact Tip	
A-Tip (Standard)	
Wire Size	
1. 0mm(.040")	K980C39
1. 2mm(.045")	K980C40

The dimension of the drawing is a reference value

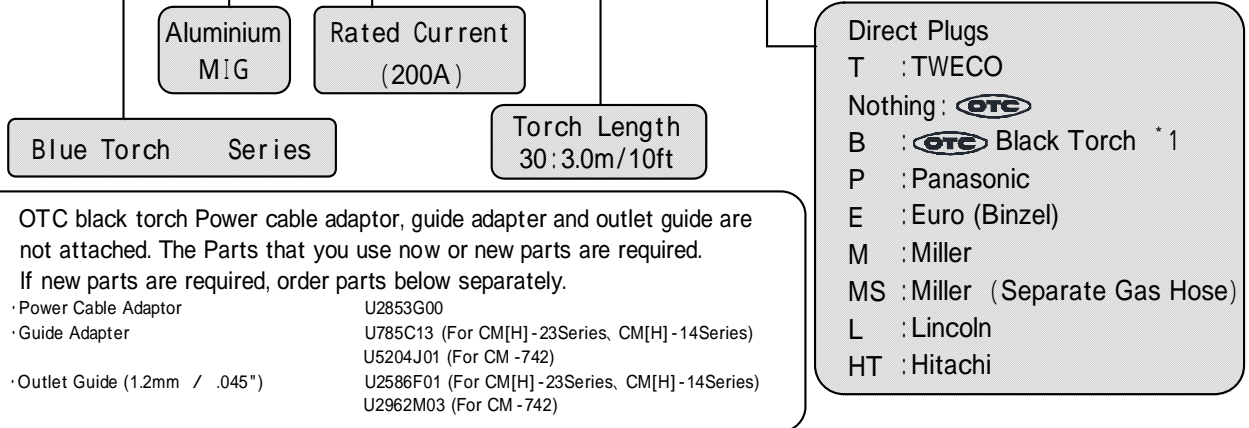
Wire Guide	
Wire Size	Part No.
1.0mm (.040")	U6000G01
	

Trigger Option	
Deep and Narrow Space	
<p>Extended Trigger</p> <p>U6256T00</p> 	<p>Assembly</p> 

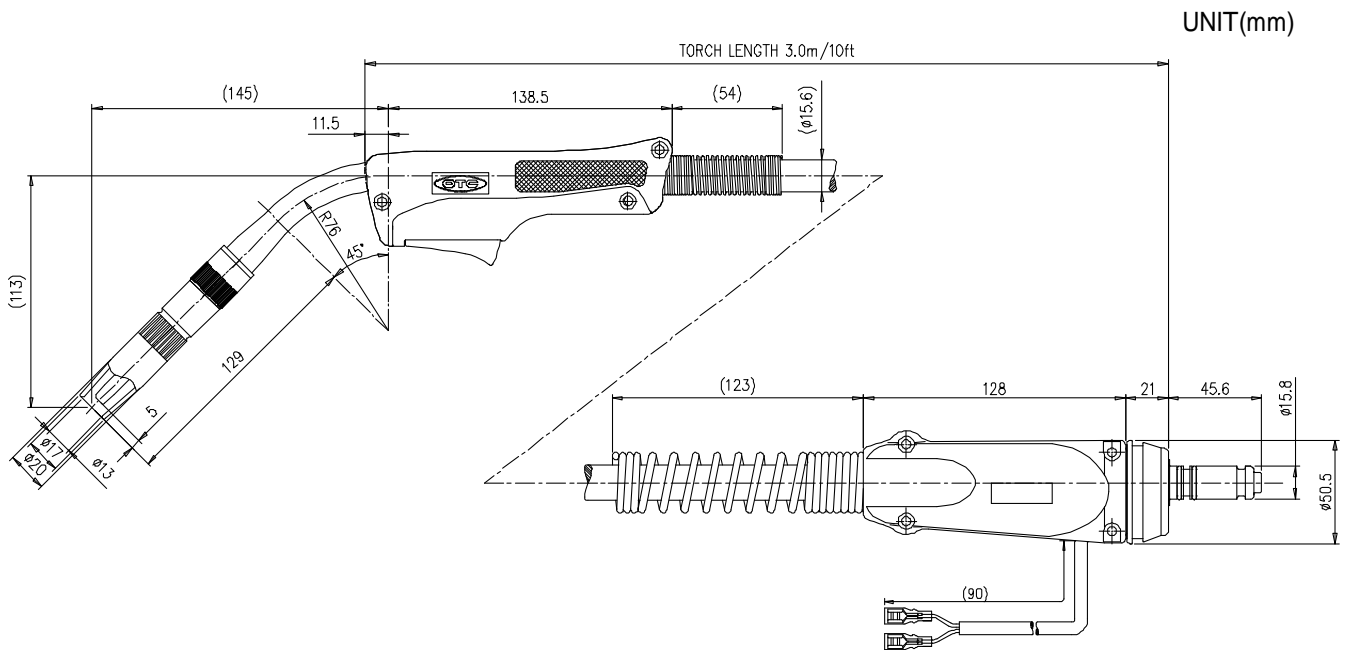
"Switch ASSY(U6190Q00)" and "Trigger Spring(U157E04)" are not included in "Extended Trigger".

Torch Type

B T A 2 0 0 - 3 0 U T



Dimensional Outline Drawing



The dimension of the drawing is a reference value



DAIHEN Corporation
 4-1, Koyochonishi,
 Higashinada-ku, Kobe,
 Hyogo 658-0033, Japan
 Phone: +81-78-275-2006,
 Fax: +81-78-845-8159

DAIHEN Inc.
 1400 Blausser Drive Tipp City,
 Ohio 45371, USA
 Phone: +1-937-667-0800,
 Fax: +1-937-667-0885

OTC DAIHEN EUROPE GmbH
 Krefelder Strasse 677,
 D-41066 Mönchengladbach,
 Germany
 Phone: +49-2161-6949710,
 Fax: +49-2161-6949711

OTC Industrial (Shanghai) Co.,Ltd.
 6F, Building B,ORIENTO Plaza,
 388 North Fuquan Road, Changning
 District,Shanghai, China 200335
 Phone: +86-21-5882-8633,
 Fax: +86-21-5882-8846

OTC (Taiwan) Co.,Ltd.
 2F No.153, Huanbei Rd.,
 Chung Li City, Taoyuan
 Hsien, Taiwan
 Phone: +886-3-461-3962,
 Fax: +886-3-434-2394

OTC DAIHEN INDIA Pvt.Ltd.
 V.M.TOWER, Plot No.54A,
 Ground Floor Unit-1, Sector-18,
 Gurgaon-122015 Haryana, India
 Phone:+91 124-4239368,
 Fax:+91 124-4300820

DAIHEN Korea Co., Ltd.
 11B/L Hyeongok Industrial
 Complex, 463-1 Hyeongok-ri,
 Cheongbuk-myeon, Pyeongtaek,
 Gyeonggi-do, 451-831,
 Republic of Korea
 Phone: +82-31-686-7445,
 Fax: +82-31-686-7464

OTC DAIHEN Asia Co.,Ltd.
 23/43, 16th F1.Sorachai Building,
 23 Soi 63 Sukhumvit Road,
 Klongtonnua, Wattana, Bangkok
 10110, Thailand
 Phone: +66-2-714-3201,
 Fax: +66-2-714-3204

PT.OTC DAIHEN INDONESIA
 Blok G1A-20, Jl. Kenari II,
 Delta Silicon V,
 Lippo Cikarang Industrial
 Park, Bekasi 17550 Indonesia
 Phone:+6221-2957-7566,
 Fax:+6221-2957-7567