

Air Cooled CO2/MAG Welding Torch

BLUE TORCH III

OWNER'S MANUAL 『Parts List』

BT3510V-30...1U6249
 BT3510V-45...1U6250
 BT3510V-60...1U6251

BT3510V-30

BT3510V-45

BT3510V-60

■ Rated Specification

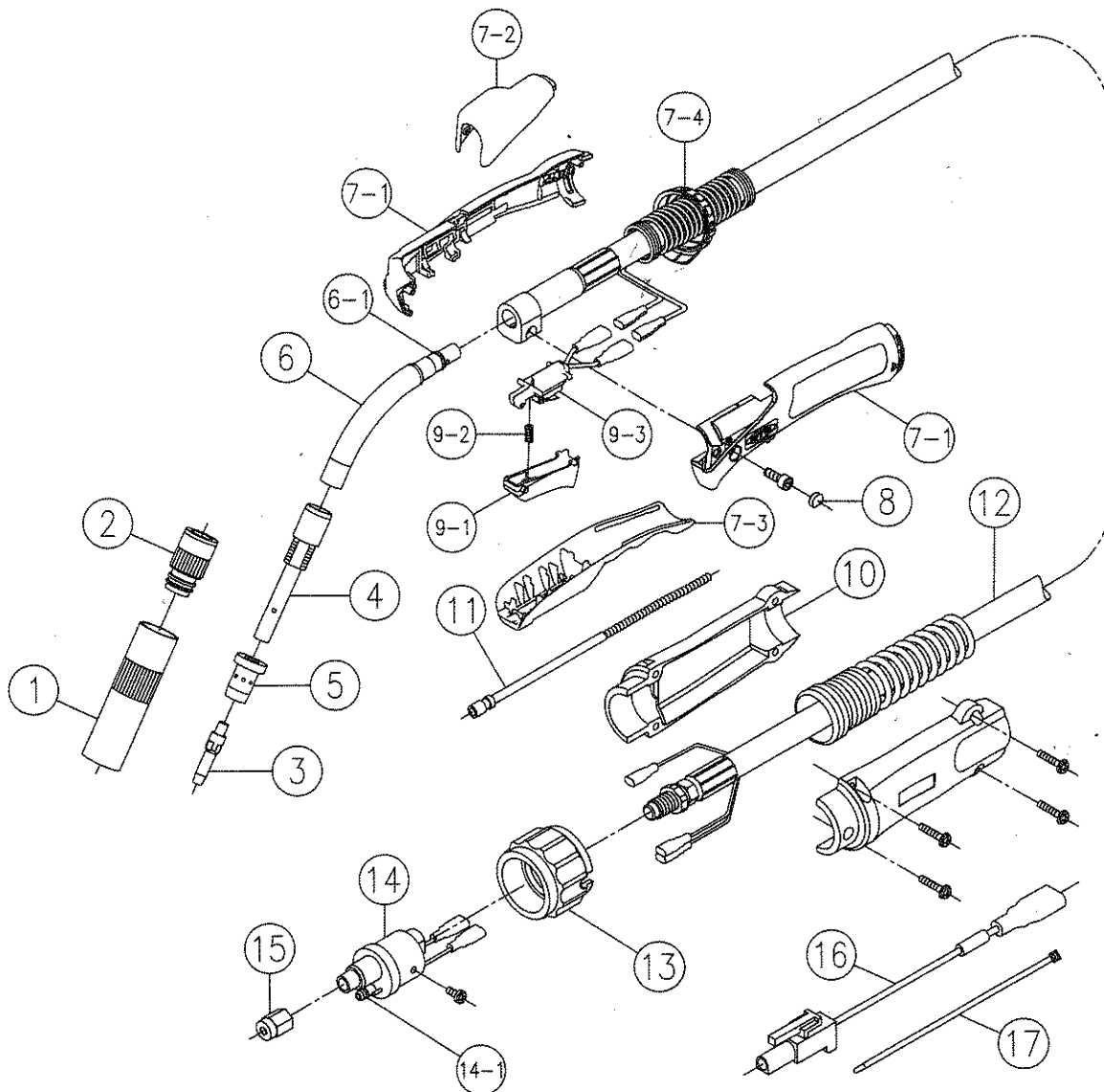
Rated Current and Duty Cycle ※1	350A 60% (CO2) / 300A 30% (MAG)		
Torch Length	3.0M	4.5M	6.0M
Net Weight	2.9kg	3.8kg	4.7kg
Diameter range of the electrode(mm) ※2	[0.9],[1.0] 1.2,[1.4]	[1.0],1.2 [1.4]	1.2,[1.4]
Type of the electrode	Mild steel wire, Flux-cored wire		
Type of shielding gas	CO2, MAG		
Type of cooling	Air Cooled		
Method of guidance	Manual		
Voltage rating	113V(Peak)		
Torch switch technical data	DC30V 3A		

※1: It is Rated Current and Duty Cycle of daihen standard

Rated Current and Duty Cycle of "IEC60974-7", "JIS C9300-7" is 270A 60%(CO2)

※2: "[]": Optional parts are necessary.

Standard Parts List



■ Front Side Components

No.	Part Description	Part No.
①	Nozzle (I.D.16mm)	U4167G01
②	Insulator	U4167L00
③	Contact Tip (1.2mm)	K980C26
④	Tip Body	U4167G03
⑤	Orifice	U4167G02
⑥	Torch Body	U6196B00
⑥-1	O-Ring (S9-4D)	3574-001
⑦	Handle KIT (⑦-1~4 is included.)	U6256C00
⑦-1	Handle (L/R)	U6256D00
⑦-2	Handle (Upper)	U6196H03
⑦-3	Handle (Lower)	U6196H04
⑦-4	LockRing	U6196H05
⑧	Cap	U5341G01
⑨	Trigger (⑨-1~3 is included.)	U6190T00
⑨-1	Trigger	U6190T01
⑨-2	Trigger Spring	U157E04
⑨-3	Switch ASSY	U6190Q00

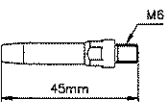
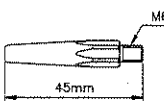
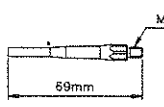
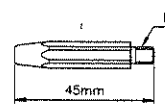
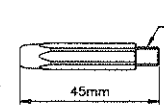
■ Cable Components

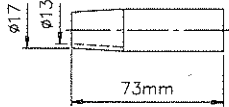
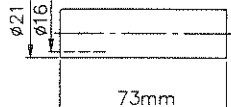
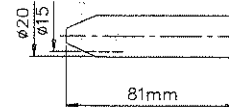
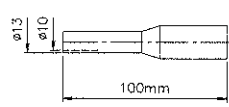
No.	Part Description	Part No.
⑩	Cable Support (with Screw)	U6190S00
⑪	Liner	
	3.0m (0.9~1.2mm)	U4170H02
	4.5m (1.0~1.2mm)	U6194L00
	6.0m (1.2mm)	U6195L00
⑫	Power Cable KIT (⑰, Spring is included.)	
	3.0m	U6249K00
	4.5m	U6250K00
	6.0m	U6251K00
⑬	Adapter Nut	U4167F03
⑭	Adapter	U4167E00
⑭-1	O-Ring	3570-125
⑮	Liner Nut	U4167G06
⑯	Voltage Detection Adapter (including ⑰)	U5365P00
⑰	Binder (for fixing ⑯)	100-1570

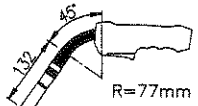
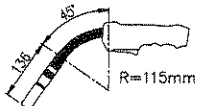
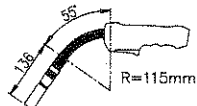
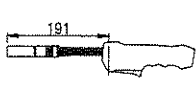
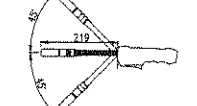
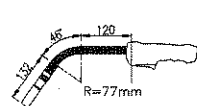
Optional Parts List

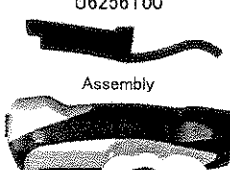
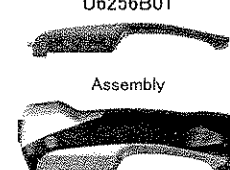
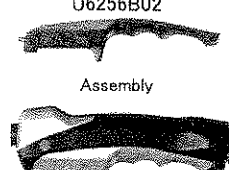
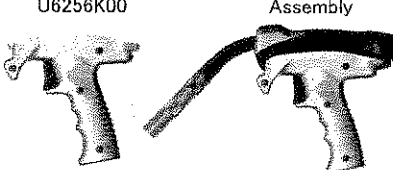
※The dimension of the drawing is a reference value


UNIT (mm)

Contact Tip					
Wire Size	A-Tip (Standard)	T-Tip (High Current)	Long Tip	CW-Tip (Long Life)	Heavy Current
					
0.9mm	K980C24	K662B12	U4167H07	-	U4167H14
1.0mm	K980C25	K980C17	U4167H06	-	U4167H13
1.2mm	K980C26 K980C73 (For FCW)	K980C19	U4167H05	K990E12	U4167H12
1.4mm	K980C27 K980C74 (For FCW)	K980C20	-	K990E14	U4167H11

Nozzle			
Low Current	High Current	Arc Spot	Deep and Narrow Space
U4167H01	U4167H16	U4170H01	U4167H04
			
			Combine with Long Tip.

Torch Body					
R77, 45°	R115, 45°	R115, 55°	Straight	Flexible	Long Neck
U5347B00	U5350B00	U6199B00	U5339H00	U5339L00	U5339N00
					
				Inner liner is required.	

Handle Option			
※ It is possible to change the following options without tools.			
Deep and Narrow Space	Shape of Slim Handle	Prevention shape of the trigger malfunction	Gun handle that reduces stress of welding posture
Long Trigger Kit U6256T00	Slim Handle U6256B01	Safety Handle U6256B02	Gun Handle Kit U6256K00
			
Assembly	Assembly	Assembly	Assembly

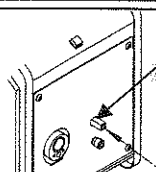
Inner Liner		
Wire Size	Part No.	These are available for the torch bodies above.
0.8~1.2mm	U5003L82	
1.2~1.6mm	U5003L26	
		

Liner		
Wire Size	Length	Part No.
1.2~1.6mm	3.0m	U6199L00
1.2~1.6mm	4.5m	U6200L00
1.2~1.6mm	6.0m	U6201L00

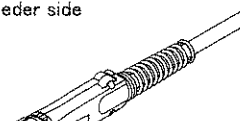
Attention



Connect the voltage detection terminal on torch side securely to the voltage detection terminal on wire feeder side in use.
If the voltage detection terminal on torch side is not connected to the voltage detection terminal on wire feeder side in use,

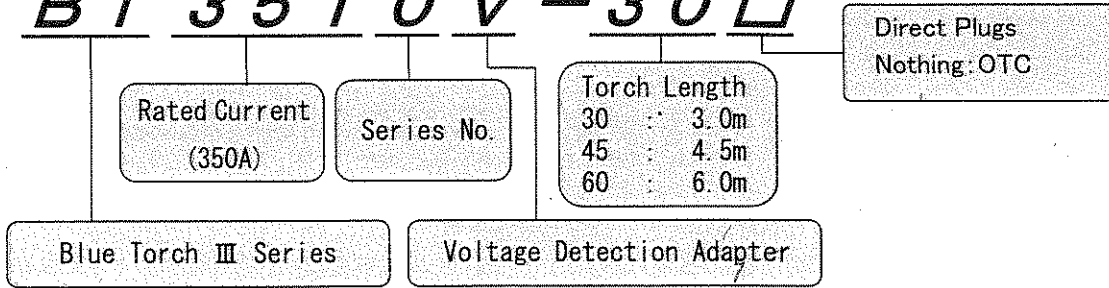


The voltage detection terminal on wire feeder side

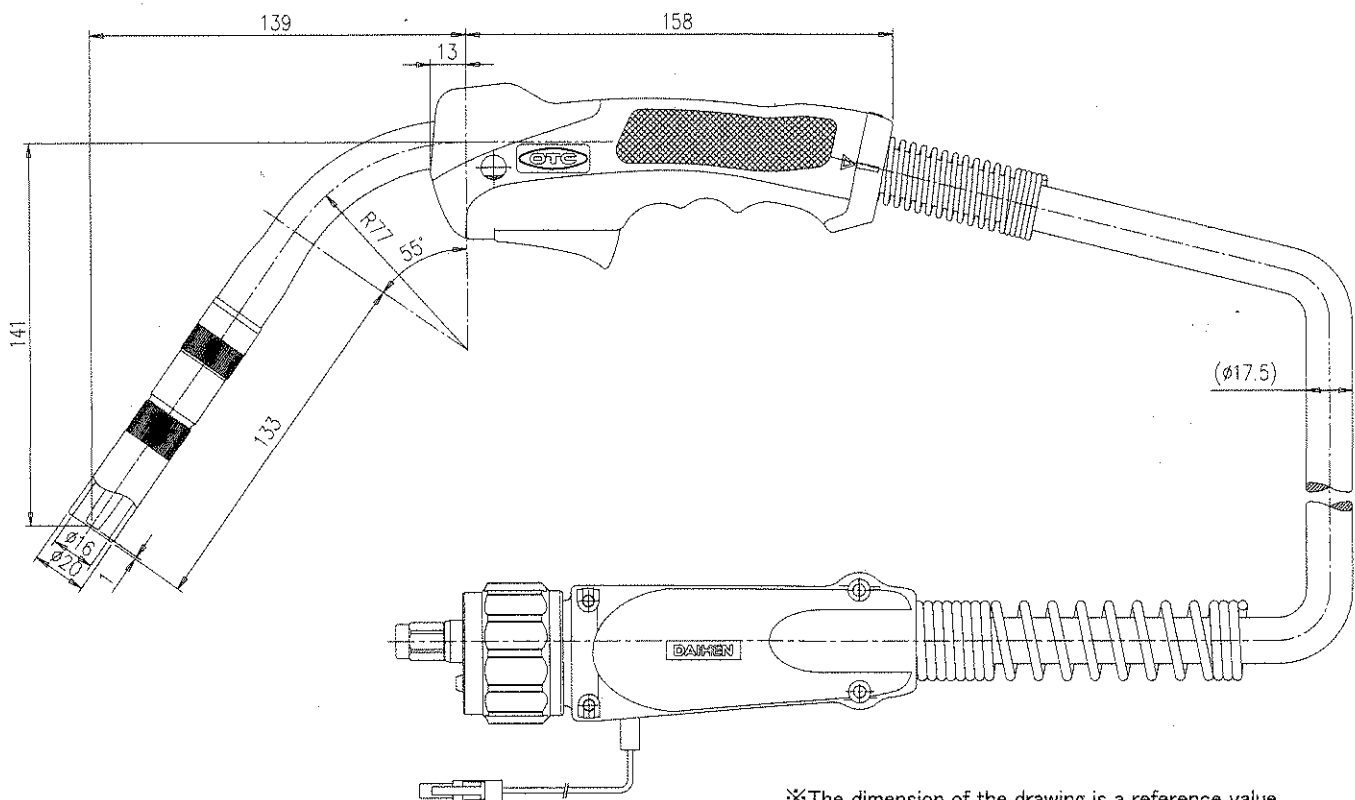


Torch Type

BT 3510V-30□



Dimensional Outline Drawing



※The dimension of the drawing is a reference value



DAIHEN Corporation
4-1, Koyochonishi,
Higashinada-ku, Kobe,
Hyogo 658-0033, Japan
Phone: +81-78-275-2006,
Fax: +81-78-845-8159

DAIHEN Inc.
1400 Blauser Drive Tipp City,
Ohio 45371, USA
Phone: +1-937-667-0800,
Fax: +1-937-667-0885

OTC DAIHEN EUROPE GmbH
Krefelder Strasse 677,
D-41066 Mönchengladbach,
Germany
Phone: +49-2161-6949710,
Fax: +49-2161-6949711

OTC Industrial (Shanghai) Co.,Ltd.
6F, Building B,ORIENTO Plaza,
388 North Fuquan Road, Changning
District,Shanghai, China 200335
Phone: +86-21-5882-8633,
Fax: +86-21-5882-8846

OTC (Taiwan) Co.,Ltd.
2F No.153, Huanbei Rd.,
Chung Li City, Taoyuan
Hsien, Taiwan
Phone: +886-3-461-3962,
Fax: +886-3-434-2394

OTC DAIHEN INDIA Pvt.Ltd.
V.M.TOWER, Plot No.54A,
Ground Floor Unit-1, Sector-18,
Gurgaon-122015 Haryana, India
Phone:+91 124-4239368,
Fax:+91 124-4300820

DAIHEN Korea Co., Ltd.
11B/L Hyeongok Industrial
Complex, 463-1 Hyeongok-ri,
Cheongbuk-myeon, Pyeongtaek,
Gyeonggi-do, 451-831,
Republic of Korea
Phone: +82-31-686-7445,
Fax: +82-31-686-7464

OTC DAIHEN Asia Co.,Ltd.
23/43, 16th Fl.Sorachai Building,
23 Soi 63 Sukhumvit Road,
Klongtonnua, Wattana, Bangkok
10110, Thailand
Phone: +66-2-714-3201,
Fax: +66-2-714-3204

PT.OTC DAIHEN INDONESIA
Blok G1A-20, Jl. Kenari II,
Delta Silicon V,
Lippo Cikarang Industrial
Park, Bekasi 17550 Indonesia
Phone:+6221-2957-7566,
Fax:+6221-2957-7567