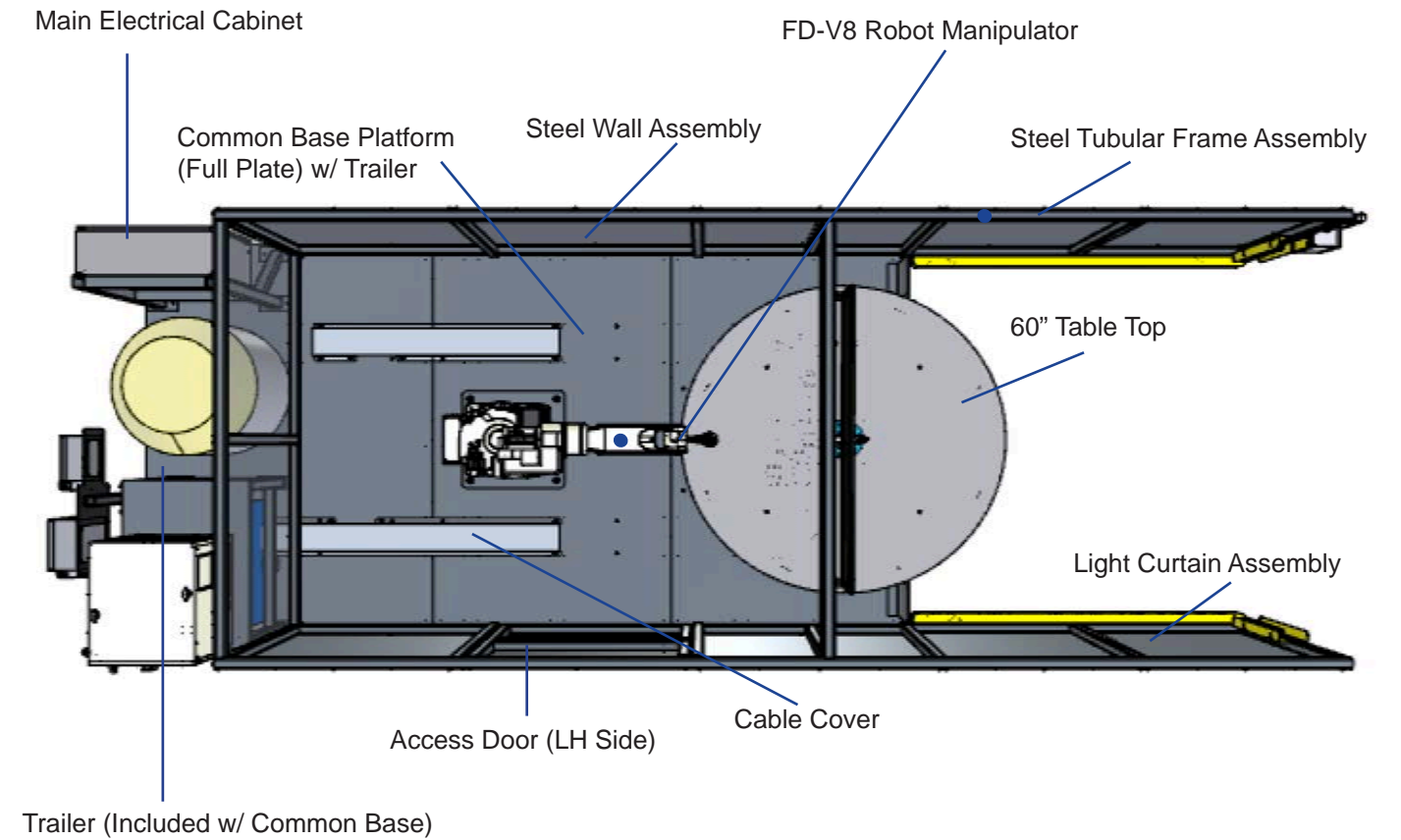
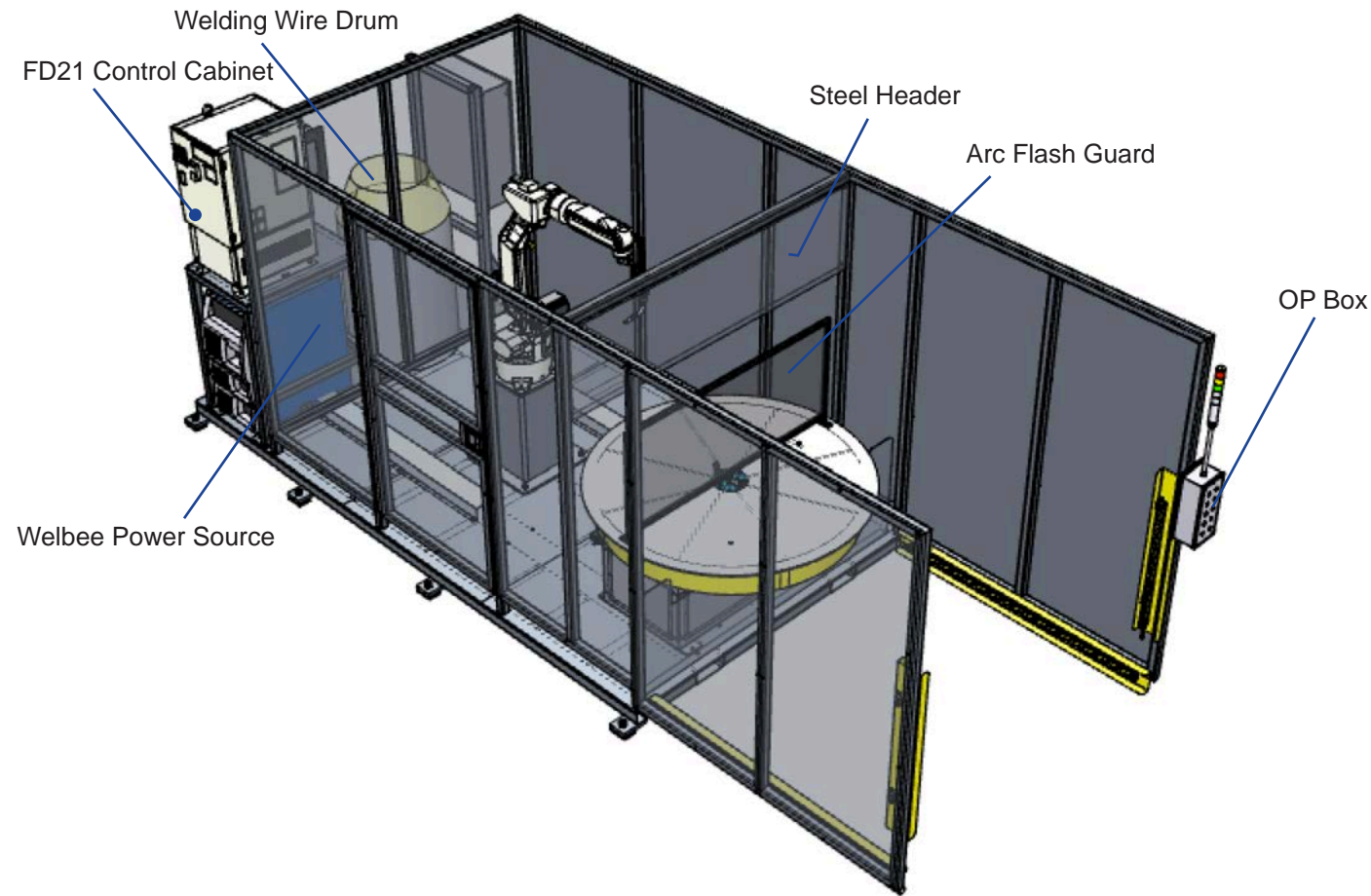


# PT-ARC 600



## Standard Configuration:

**PT-ARC 600**  
60" pneumatic indexing table

### Details:

- Index Speed (180°) - 4.2 seconds
- Work Capacity – 250kg/side
- Weight – Approx. 3500kg
- Standard fork lift pockets
- Rack and Pinion Design



## Specifications

### Footprint Dimensions:

Width: 2200mm (86.6")  
Height: 2235mm (88.0")  
Depth: 5511mm (217.0")

### Manipulator Types:

- FD-V8
- FD-B6

### Available I/O Slots:

22 Inputs/21 Outputs  
(Additional Power Supply needed for Outputs)

### Other Options:

- Fixture mounting pattern in table top
- Torch cleaning station
- Station lighting
- Access door on RH side
- Safety Fence on Full Base
- Basic Layout (PT-ARC 600B)
- Extended I/O