



No.1L7435

**MODEL: L-7435/L-7436**

[TIG Wire Feeder ( for 2 Roll Type)]

**PARTS LIST**

DAIHEN Corporation

# 1. Parts List

## 1.1 Wire Feeder (L-7435/L-7436) Parts List

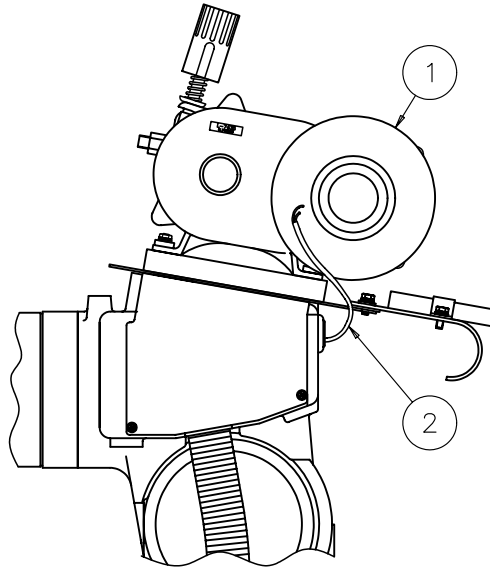


Fig 1. L-7435/L-7436 Parts List

Table 1. L-7435/L-7436 Parts List

No	Part Number		Description	Q'ty	Remarks
	L-7435	L-7436			
1	L7447A	L7448A	Wire Feeder Unit	1	Refer to 1.2
2	L7431B		Cable Assy	1	Refer to 2

## 1.2 Wire Feeder Unit (L7447A/L7448A) Parts List

Table 2. L-7447/L-7448 Parts List

№	Part Number		Description	Q'ty	Remarks
	L7447A	L7448A			
1	K1123B01		Gear Case	1	
2	4802-006		Print Motor	1	
3	K1123B02		Pinion	1	
4	3361-401		CS Type Snap Ring	1	CSTW-10
5	K1123B03		2-Step Gear	1	
6	K1123B05		Bush	2	
7	K1123B04		Geared Output Shaft	1	
8	K1290B01		Insulating Spacer	1	
9	3311-001		Radial Ball Bearing	1	№6000ZZ
10	3361-206		Key	1	4×4×8
11	3311-008		Radial Ball Bearing	1	№6001LL
12	K1200B01		Gear Case	1	
12 - 1	K1200B04		Torch Holder	(1)	
12 - 2	K1200B05		Gear Case	(1)	
12 - 3	3361-208		Pin	(1)	φ 3-20
13	U 1230B14		Insulating Spacer	3	
14	K1123B07		Spacer	1	
15	L 6542J	-	Feed Roll Assy	1	For Steel/Stainless 1.2
	-	K2324S	Feed Roll Assy		For Aluminum 1.2
16	-		Washer	1	M10
17	-		Spring Washer	1	M10
18	-		Nut	1	M10
19	K1200B02		Bolt Fixing Plate	1	
20	K1123F00		Hinge Assy	1 set	
21	K1123C06		Straight Roll(1)	1	W/Bush
22	K1123C07		Straight Roll(2)	2	W/Bush
23	3361-402		Thrust Washer	4	STW-FT8.0×0.5
24	3361-403		Snap Ring	4	φ 6
25	3361-503		Bolt	1	Type B M8×40
26	3361-505		Nut	1	M8
27	K1200B02		Spring Plate	1	
28	U785C11		Protection Cover	2	
29	K2324E00		Washer	1 set	

## 1.2 Wire Feeder Unit (L7447A/L7448A) Parts List (continued)

Table 3. L-7447/L-7448 Parts List (continued)

照合No	部 品 番 号	品 名	所要量	記 事
3 0	U1997L02	Insulating Plate	1	
3 1	K1687D02	Conduit Folder	1	
3 2	K1687D13	Guide Adapter	1	
3 3	U785C09	Spring Plate	1	
	K2324V00	Pressure Roll Assy	( 1 組)	
3 4	K2324V01	Pressure Roll Holder	1	Including K2324V00
3 5	U4345B04	Pressure Roll Shaft	1	
3 6	K1786B04	Pressure Roll	1	
3 7	K1117Q02	Drive Gear	1	
3 8	HK1010	Shaft	1	
3 9	70W-1000	Washer	2	
4 0	K1548B01	Bracket for Motor	1	
4 1	K1548B02	Output Shaft	1	
4 2	K1548B03	Collar	1	No6200LL
4 3	3311-003	Radial Ball Bearing	2	φ 30
4 4	-	Washer	1	
4 5	K1548B04	Adapter	1	
4 6	K1548B05	Reduction Gear Unit	1	M6-6
4 7	-	Screw	1	
4 8	L7447B01	Insulating Plate	1	
4 9	-	C type Cap	4	C10
5 0	-	Bolt	2	M8×25
5 1	-	Washer	2	M8
5 2	-	Bolt	2	M6×25
5 3	-	Washer	2	WSSB16-6-2
5 4	-	Nut	2	M6
5 5	-	Spring Washer	2	M6
5 6	-	Washer	2	M6
5 7	K2324Y01	Insulating Bush	2	M6

**Important: When you need Conduit Folder Assy, use K1687D00.**

**K1687D00 are including No.13,28,30,31,32,33 and washer,Bolt.**

**( Optional Accessories)**

**Wire Feeder Unit (L7447A) Optional Accessories**

**Table 4. Parts List of Optional Accessories when using Steel or Stainless wire**

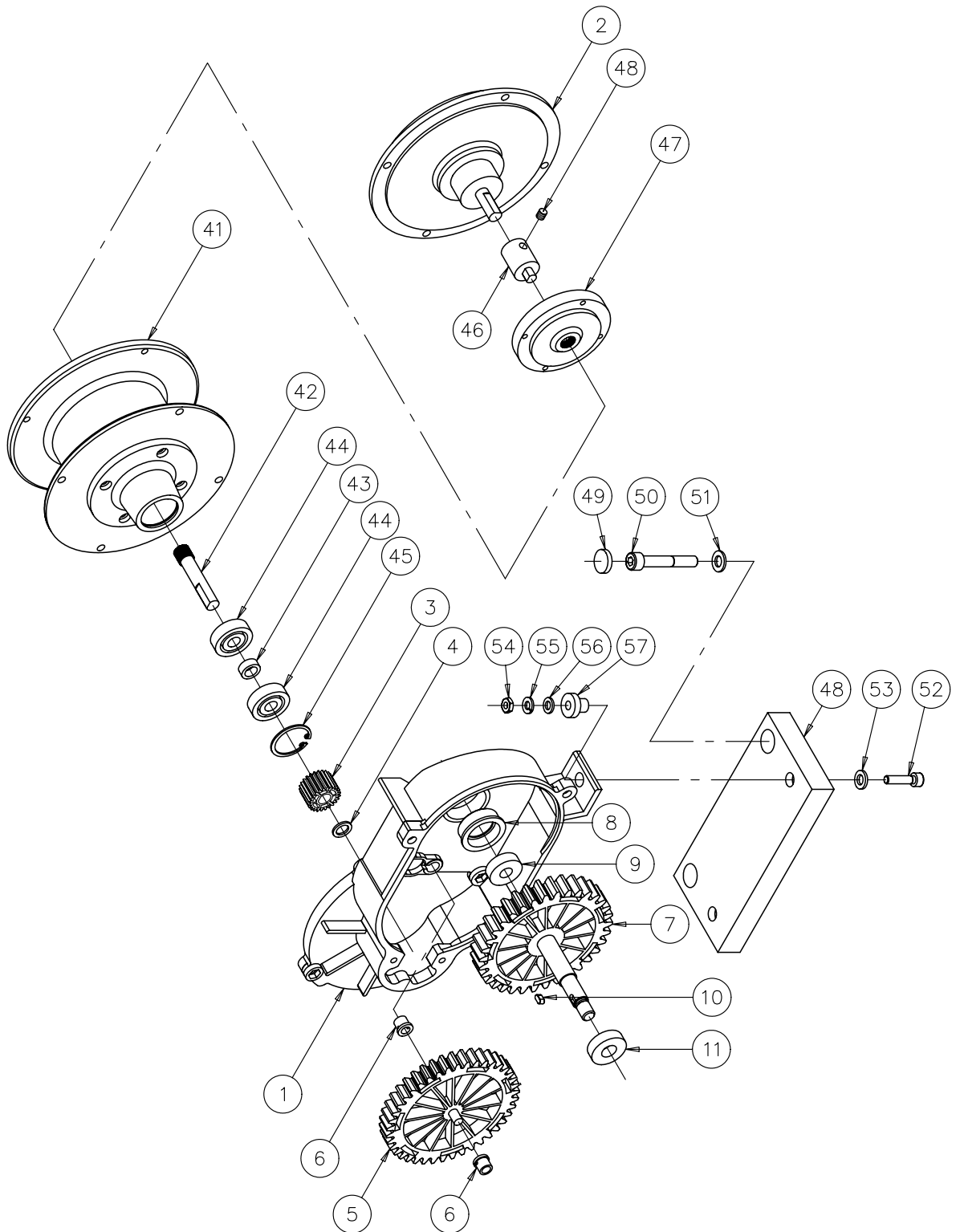
<b>No</b>	<b>Part Number</b>	<b>Description</b>	<b>Q'ty</b>	<b>Remarks</b>
6 0	L6542F	Feed Roll 0.8	1	For 0.8
6 1	L6542G	Feed Roll 0.9	1	For 0.9
6 2	L6542H	Feed Roll 1.0	1	For 1.0
6 3	L6542L	Feed Roll 1.6	1	For 1.6

**Wire Feeder Unit (L7448A) Optional Accessories**

**Table 4. Parts List of Optional Accessories when using Aluminum wire**

<b>No</b>	<b>Part Number</b>	<b>Description</b>	<b>Q'ty</b>	<b>Remarks</b>
6 4	K2324N	Feed Roll 0.6	1	For 0.6
6 5	K2324P	Feed Roll 0.8	1	For 0.8
6 6	K2324Q	Feed Roll 0.9	1	For 0.9
6 7	K2324R	Feed Roll 1.0	1	For 1.0
6 8	K2324T	Feed Roll 1.6	1	For 1.6
6 9	K2324U	Feed Roll 2.0	1	For 2.0

**1.2 Wire Feeder Unit (L7447A/L7448A) Parts List (continued)**



**Fig 2. Disassembly Drawing of Wire Feed Reduction Gear Unit**

## 1.2 Wire Feeder Unit (L7447A/L7448A) Parts List (continued)

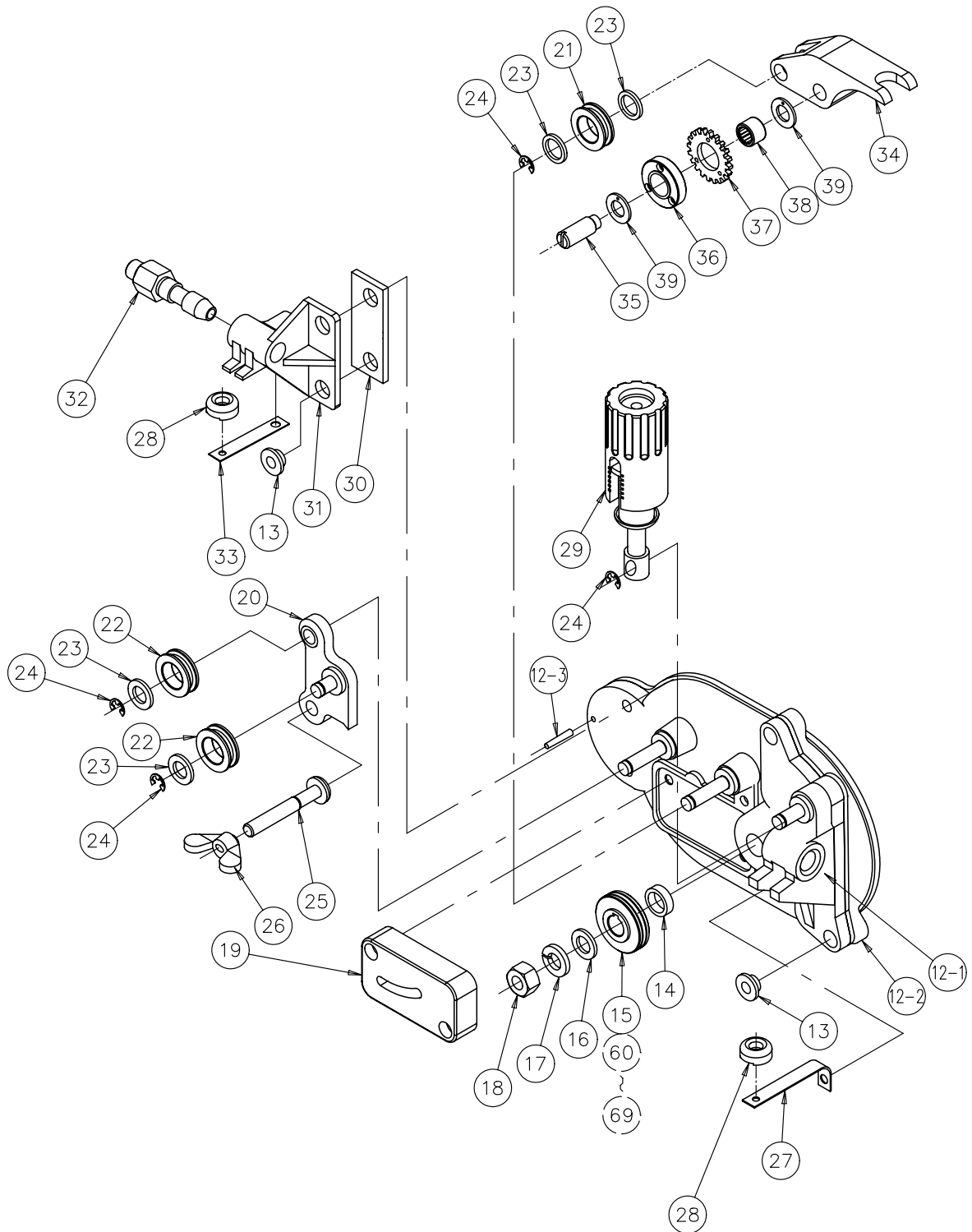


Fig 3. Disassembly Drawing of Wire Feeder and Pressure Parts

## 2. Electrical Connection Diagram

